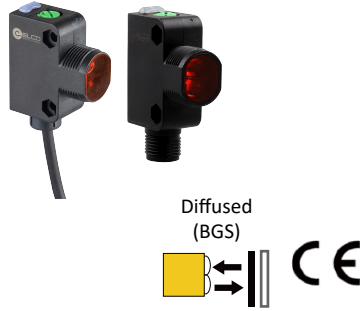


Product Description:

- Cylindrical circular hole installation, rectangular screw installation method optional.
- Suitable for applications such as automotive parts, packaging, logistics transportation, metal processing, etc.

Product features:

- Compact size and appearance
- Visible red light



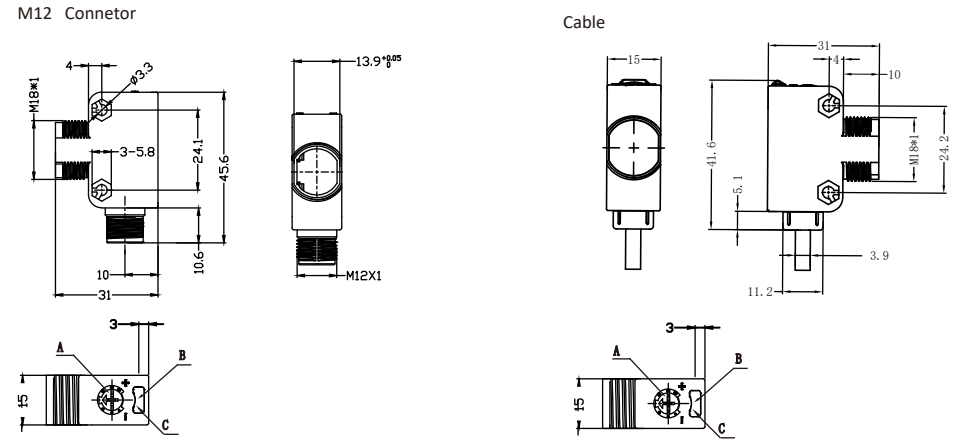
Type	Distance	Beam	Output	Connection	Wiring
OSQ18-AK150VP6 *M ¹⁾	10...150mm	Red	PNP	Cable	Fig.1
OSQ18-AK150VP6Q	10...150mm	Red	PNP	M12 Connector	Fig.2
OSQ18-AK150VN6 *M ¹⁾	10...150mm	Red	NPN	Cable	Fig.3
OSQ18-AK150VN6Q	10...150mm	Red	NPN	M12 Connector	Fig.4
OSQ18-AK200VP6 *M ¹⁾	10...200mm	Red	PNP	Cable	Fig.1
OSQ18-AK200VP6Q	10...200mm	Red	PNP	M12 Connector	Fig.2
OSQ18-AK200VN6 *M ¹⁾	10...200mm	Red	NPN	Cable	Fig.3
OSQ18-AK200VN6Q	10...200mm	Red	NPN	M12 Connector	Fig.4

Note 1): * M refers to the cable length in meters. If there is no * M in the model, the default cable length is 2 meters.

TECHNICAL SPECIFICATION

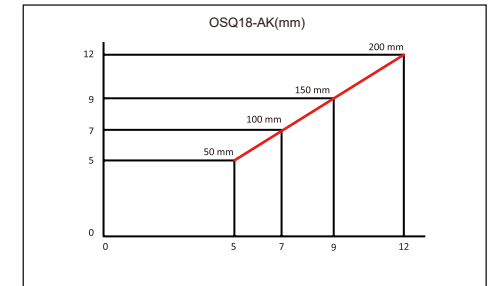
OPERATING VOLTAGE	10...30 V DC	AMBIENT TEMPERATURE OPERATION	-25°C...+55°C
RIPPLE VOLTAGE	≤10%	AMBIENT TEMPERATURE STORAGE	-40°C...+70°C
LIGHT SOURCE TYPE	Red LED	CIRCUIT PROTECTION	Short-circuit protection, reverse polarity protection, over-load protection
OUTPUT CHARACTERISTIC	PNP/NPN	PROTECTION DEGREE	IP67
LOAD CURRENT	≤200mA	HOUSING MATERIAL	PBT+ABS
SWITCHING FREQUENCY	400Hz	CONNECTING TYPE	*m TPU cable /M12 connector
ADJUSTMENT OF SENSITIVITY	Knob adjustment		

DIMENSIONS



INDICATORS

A	Potentiometer	
B	Output indicator	Yellow
C	Stable indicator	Green



ELECTRICAL CONNECTION

