

Product Description:

- Metal casing, 150m laser beam, coaxial technology, no blind spots, precise positioning, wide voltage power supply.
- Suitable for automotive manufacturing, metallurgical industry, non-standard equipment, textile machinery, etc

Product features:

- Long detection distance
- Adjust sensitivity by adjusting the knob
- IP67 protection rating
- Push-pull output mode



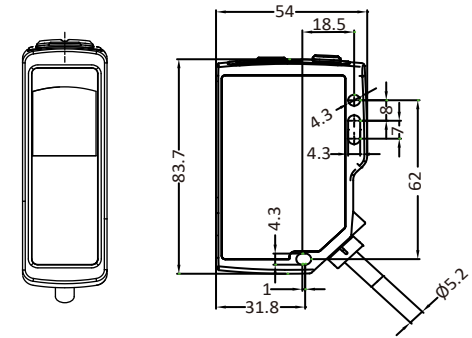
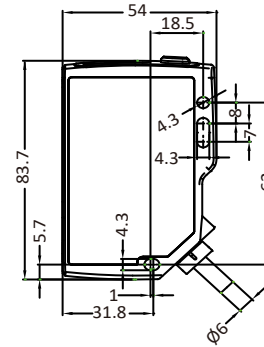
Type	Distance	light source	Output	Connection	Wiring
OSM70-SL6 *M ¹⁾	150m	Laser Class II	— —	Cable	Fig.1
OSM70-ELVB6 *M ¹⁾	150m	Laser Class II	Push-pull	Cable	Fig.2

Note 1): * M refers to the cable length in meters. If there is no * M in the model, the default cable length is 2 meters.

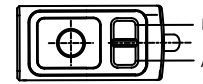
TECHNICAL SPECIFICATION

OPERATING VOLTAGE	10...30 V DC	AMBIENT TEMPERATURE OPERATION	-25°C...+55°C
BEAM	Laser Class II	AMBIENT TEMPERATURE STORAGE	-40°C...+70°C
OUTPUT SWITCHING	Light on + Dark on	CIRCUIT PROTECTION	Short-circuit protection, Reverse polarity protection
LOAD CURRENT	≤100mA	PROTECTION DEGREE	IP67
EMISSION CONSUMPTION CURRENT	≤15mA	HOUSING	Die-Casting Zinc
RECEIVE CONSUMPTION CURRENT	≤20mA	CONNECTING TYPE	Cable
SENSITIVITY(RECEIVING)	Rotary Switch	RESPONSE FREQUENCY	800Hz
RECEIVE STATE INDICATION	Green LED	OUTPUT STATE INDICATION	Yellow LED
		POWER INDICATION	Green LED

DIMENSIONS

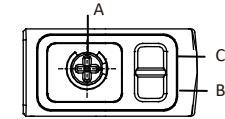


Emmitter



A	Power	Green
B	Power	Green

Receiver



A	Potentiometer	
B	Output indicator	Yellow
C	Stable indicator	Green

ELECTRICAL CONNECTION

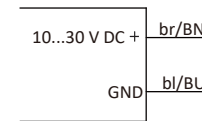


Fig.1

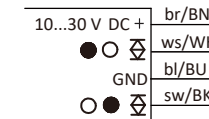


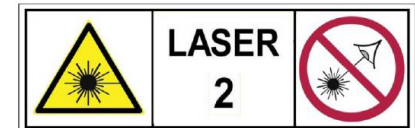
Fig.2

○ = Light on
● = Dark on

ELSAFETY WARINGS

IEC 60825-1:2014
EN 60825-1:2014+A11:2021
Maximum output: 3mW, pulse duration: 3,2us, wavelength: 658nm
Beam divergence: 1 mrad

The laser can be turned off by turning off the power. Please read the instruction before installing the product to ensure the product is suitable. Please follow the standard rules used in the instruction. Please contact your local ELCO representative or call hotline if you have any questions about the products described in this instruction.

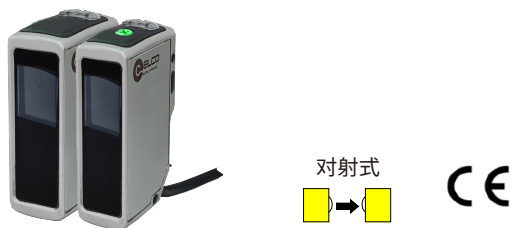


产品说明:

- 金属外壳, 150m激光对射。采用同轴技术, 无盲区, 精准定位, 宽电压供电
- 适用于汽车制造、冶金行业、非标设备、纺织机械等应用

产品特点:

- 检测距离长
- 通过调节旋钮调节灵敏度
- IP67防护等级
- 推挽输出



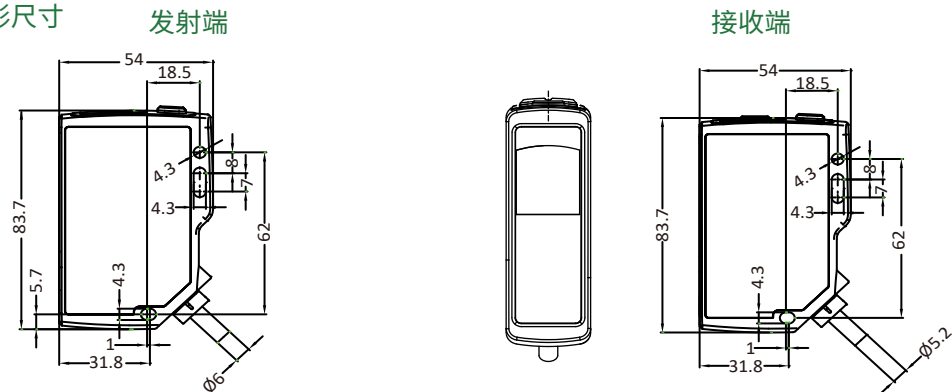
型号	检测距离	光源	输出方式	连接方式	接线图
OSM70-SL6 *M ¹⁾	150m	激光Class II	— —	线缆	图1
OSM70-ELVB6 *M ¹⁾	150m	激光Class II	推挽	线缆	图2

注1): *M表示线缆长度, 单位米, 型号中无*M默认线缆长度为2米。

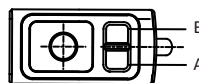
技术参数

工作电压	10...30 V DC	工作环境温度	-25°C...+55°C
消耗电流	≤25mA	储存环境温度	-40°C...+70°C
光源	激光 Class II	保护电路	短路保护 反极性保护
输出特性	亮通+暗通	防护等级	IP67
负载电流	≤100mA	外壳	压铸件
发射消耗电流	≤15mA	连接方式	线缆式
接收消耗电流	≤20mA	响应频率	800Hz
灵敏度 (接收)	单圈旋钮	输出状态指示灯	黄色LED
接收状态指示灯	绿色LED	电源指示灯	绿色LED

外形尺寸

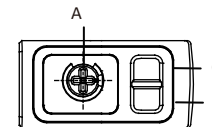


发射指示图



A	电源指示灯	绿色
B	电源指示灯	绿色

接收指示图



A	电位计	
B	输出状态指示灯	黄色
C	接收状态指示灯	绿色

接线图

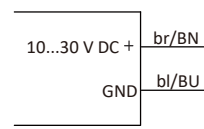


图1

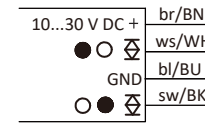


图2

○ = 亮通
● = 暗通

安全警告

IEC 60825-1:2014
EN 60825-1:2014+A11:2021
最大输出:3mW, 脉冲宽度:3,2us, 波长:658nm
光束发散角: 1 mrad

可通过切断电源来关闭激光
安装产品前请阅读本说明书, 确保产品适用。
请遵守说明书中使用的标准规则。
如您对说明书中的描述有任何疑问, 请联系当地ELCO代表
或致电ELCO。

