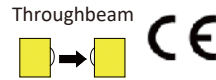


Product Description

- Compact body, meeting the demand for compact space in industries such as electronics, photovoltaics, and semiconductors.
- A small threaded photoelectric sensor with strong resistance to light interference, using the principle of reflection to stably detect all opaque objects.



Product Features

- Compact body and compact structure
- M12 thread installation, built-in metal parts, sturdy, long-lasting
- The product adopts infrared light, which has stronger resistance to environmental light

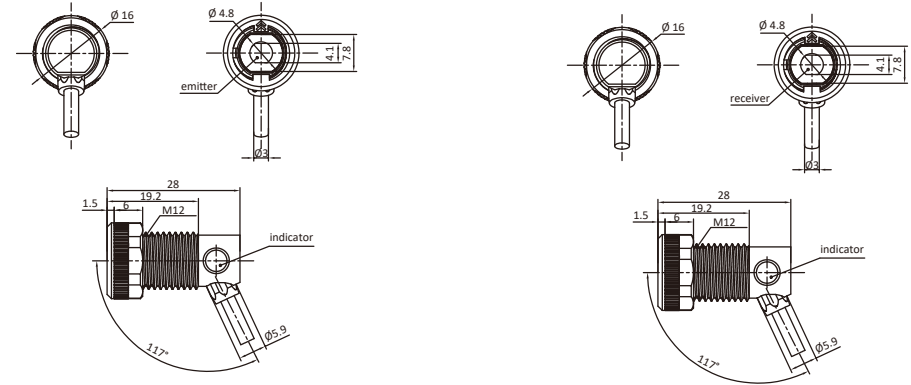
Type	Distance	Beam	Output	Connection	Wiring
OP12-S6 *M ¹⁾	-	Infrared light	-	Cable	Fig. 1
OP12-ELN6 *M ¹⁾	5 m	-	NPN	Cable	Fig. 2
OP12-EDN6 *M ¹⁾	5 m	-	NPN	Cable	Fig. 3
OP12-ELP6 *M ¹⁾	5 m	-	PNP	Cable	Fig. 4
OP12-EDP6 *M ¹⁾	5 m	-	PNP	Cable	Fig. 5

Note 1): * M refers to the cable length in meters. If there is no * M in the model, the default cable length is 2 meters.

TECHNICAL SPECIFICATION

OPERATING VOLTAGE	10 ... 30 V DC	AMBIENT TEMPERATURE OPERATION	-10 ... +50 °C
RIPPLE VOLTAGE	±10 % of U _B	AMBIENT TEMPERATURE STORAGE	-20 ... +70 °C
LIGHT SOURCE TYPE	Infrared light	CIRCUIT PROTECTION	Short-circuit protection, reverse polarity protection, over-load protection
OUTPUT CHARACTERISTIC	PNP / NPN	PROTECTION DEGREE	IP67
LOAD CURRENT	≤ 50 mA	HOUSING MATERIAL	PC + PMMA
SWITCHING FREQUENCY	100 Hz	CONNECTING TYPE	*m PVC cable

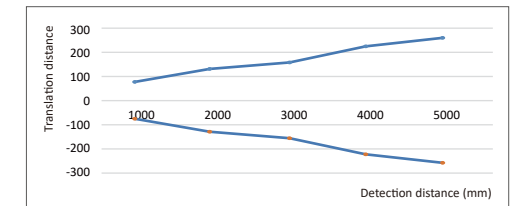
DIMENSIONS



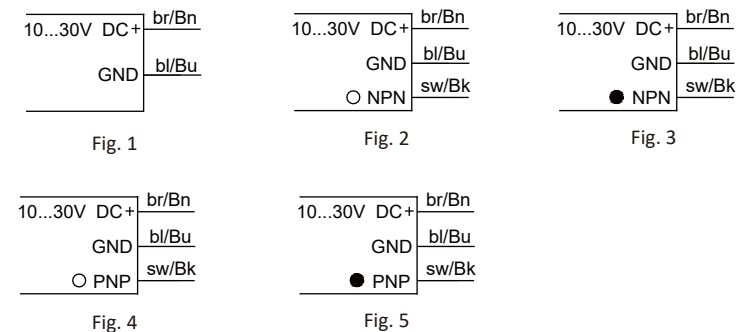
INDICATORS

Emitter	
Power indicator	Green
Receiver	
Output indicator	Yellow
Power / stable indicator	Green

TRANSLATION CHARACTERISTIC CURVE



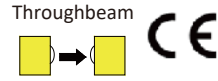
ELECTRICAL CONNECTION



○ = Light on
● = Dark on

产品说明

- 小巧机身，满足电子，光伏，半导体等行业对紧凑空间的需求。
- 小型螺纹型光电传感器，抗光干扰性强，采用对射工作原理，稳定检测一切不透明物体。



产品特点

- 机身小巧结构紧凑
- M12螺纹安装，内置金属件，坚固，长寿命
- 产品采用红外光抗环境光干扰更强

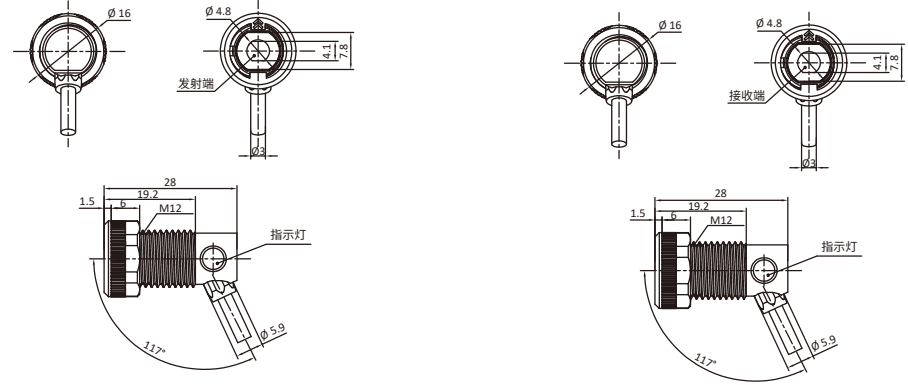
型号	检测距离	光源	输出方式	连接方式	接线图
OP12-S6 *M ¹⁾	-	红外光	-	线缆	图 1
OP12-ELN6 *M ¹⁾	5 m	-	NPN	线缆	图 2
OP12-EDN6 *M ¹⁾	5 m	-	NPN	线缆	图 3
OP12-ELP6 *M ¹⁾	5 m	-	PNP	线缆	图 4
OP12-EDP6 *M ¹⁾	5 m	-	PNP	线缆	图 5

注1): *M表示线缆长度,单位米,型号中无*M默认线缆长度为2米。

技术参数

工作电压	10 ... 30 V DC	工作温度	-10 ... +50 °C
纹波电压	±10 % of U _B	环境温度	-20 ... +70 °C
光源	红外光	保护电路	短路保护反极性保护输出过载保护
输出特性	PNP / NPN	防护等级	IP67
负载电流	≤ 50 mA	外壳	PC + PMMA
开关频率	100 Hz	连接方式	*m PVC 线缆

外形尺寸



操作指示

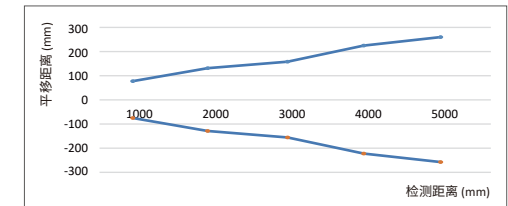
发射端

电源指示灯	绿灯
-------	----

接收端

动作指示灯	黄灯
电源/稳态指示灯	绿灯

平行性



接线图

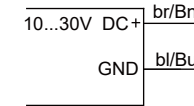


图 1

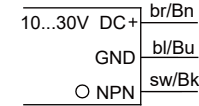


图 2

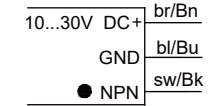


图 3

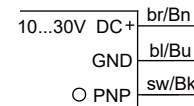


图 4

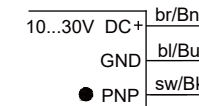


图 5

○ = 亮通
● = 暗通