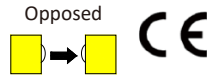


Product Description:

- M18 cylindrical installation method,length 40mm, with a wide selection of models.
- Suitable for logistics transportation,turnstiles,packaging, AGV industries,and other applications.

Product features:

- Compact size ang appearance
- Long detection distance
- Visible LED red light source



Type	Distance	Beam	Output	Connection	Wiring
OG18-S6 *M ¹⁾	----	Infrared light	----	Cable	Fig.1
OG18-S6Q	----	Infrared light	----	M12 Connetor	Fig.2
OG18-ECP6 *M ¹⁾	30m	----	PNP	Cable	Fig.3
OG18-ECP6Q	30m	----	PNP	M12 Connetor	Fig.4
OG18-ECN6 *M ¹⁾	30m	----	NPN	Cable	Fig.5
OG18-ECN6Q	30m	----	NPN	M12 Connetor	Fig.6

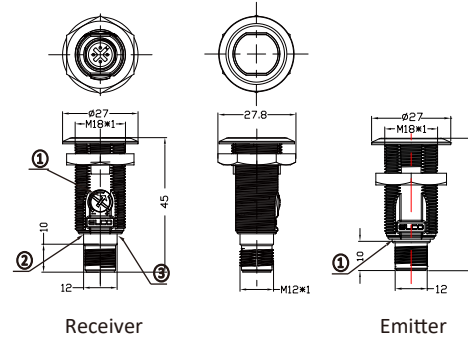
Note 1): * M refers to the cable length in meters. If there is no * M in the model, the default cable length is 2 meters.

TECHNICAL SPECIFICATION

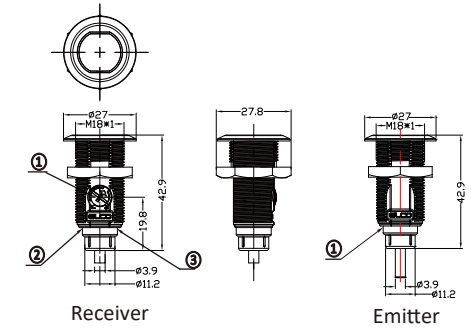
OPERATING VOLTAGE	10...30 V DC	AMBIENT TEMPERATURE OPERATION	-25°C...+55°C
RIPPLE VOLTAGE	≤ 10%	AMBIENT TEMPERATURE STORAGE	-40°C...+70°C
LIGHT SOURCE TYPE	Infrared light	CIRCUIT PROTECTION	Short-circuit protection, reverse polarity protection, over-load protection
OUTPUT CHARACTERISTIC	PNP/NPN	PROTECTION DEGREE	IP67
LOAD CURRENT	≤200mA	HOUSING MATERIAL	PBT+ABS
SWITCHING FREQUENCY	800Hz	CONNECTING TYPE	*m TPU cable /M12 connector
ADJUSTMENT OF SENSITIVITY	Knob adjustment		

DIMENSIONS

M12 connector



Cable



INDICATORS

Receiver

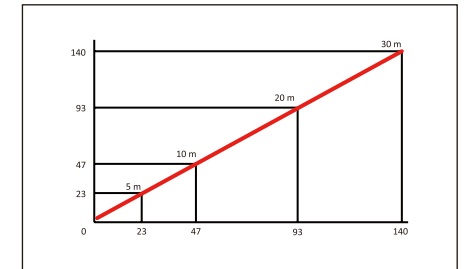
① Potentiometer	
② Output indicator	Yellow
③ Power/stable indicator	Green

Emitter

① Power indicator	Green
-------------------	-------

BEAM PATTERN

OG18-S6 (cm)



ELECTRICAL CONNECTION

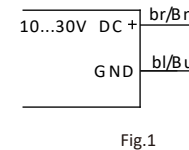


Fig.1

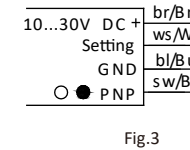


Fig.3

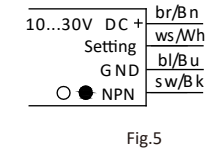


Fig.5

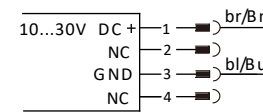
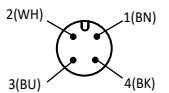


Fig.2

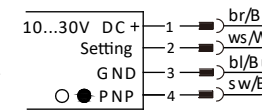


Fig.4

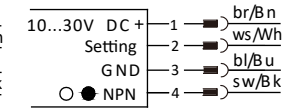


Fig.6

○ =Light on
● =Dark on

产品说明:

- M18圆柱形安装方式，长度40mm，丰富的机型选择。
- 适用物流运输，闸机，包装，AGV行业等应用。



产品特点:

- 小巧的尺寸外形
- 长检测距离
- 可见LED红色光源



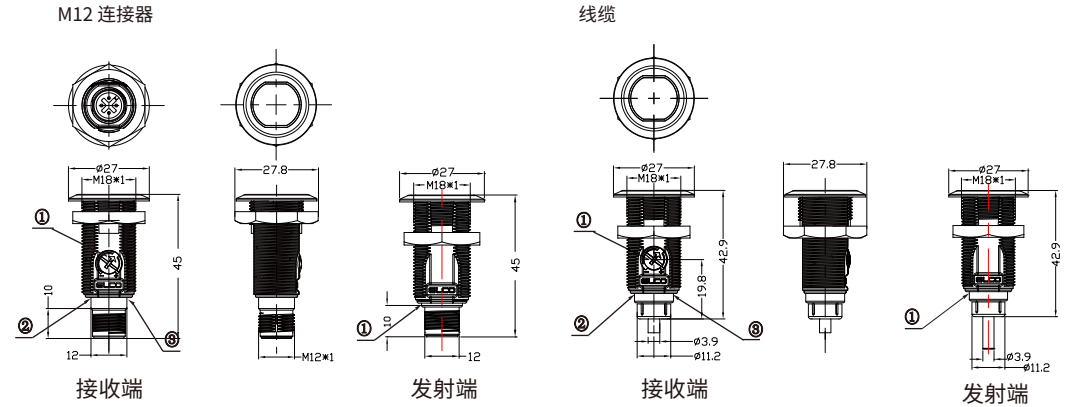
型号	检测距离	光源	输出方式	连接方式	接线图
OG18-S6 *M ¹⁾	----	红外光	----	线缆	图1
OG18-S6Q	----	红外光	----	M12 连接器	图2
OG18-ECP6 *M ¹⁾	30m	----	PNP	线缆	图3
OG18-ECP6Q	30m	----	PNP	M12 连接器	图4
OG18-ECN6 *M ¹⁾	30m	----	NPN	线缆	图5
OG18-ECN6Q	30m	----	NPN	M12 连接器	图6

注1) : *M表示线缆长度，单位米，型号中无*M默认线缆长度为2米。

技术参数

工作电压	10...30V DC	工作温度	-25°C...+55°C
纹波电压	≤ 10%	环境温度	-40°C...+70°C
光源	红外光	保护电路	短路保护 反极性保护 输出过载保护
输出特性	PNP/NPN	防护等级	IP67
负载电流	≤200mA	外壳	ABS+PBT
开关频率	800Hz	连接方式	*m TPU 线缆 /M12连接器
灵敏度调节	旋钮调节		

外形尺寸



操作指示

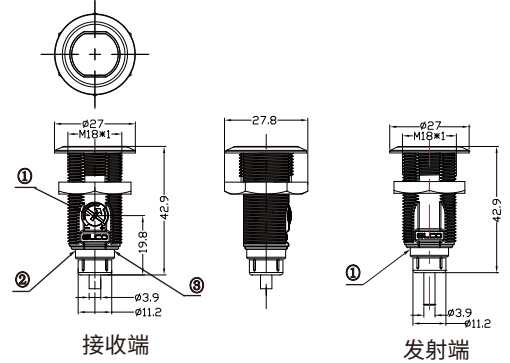
接收端

①	电位器旋钮	
②	动作指示灯	黄灯
③	电源/稳态指示灯	绿灯

发射端

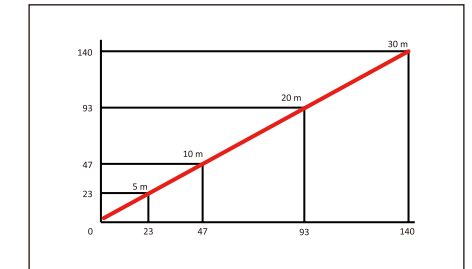
①	电源指示灯	绿灯
---	-------	----

线缆

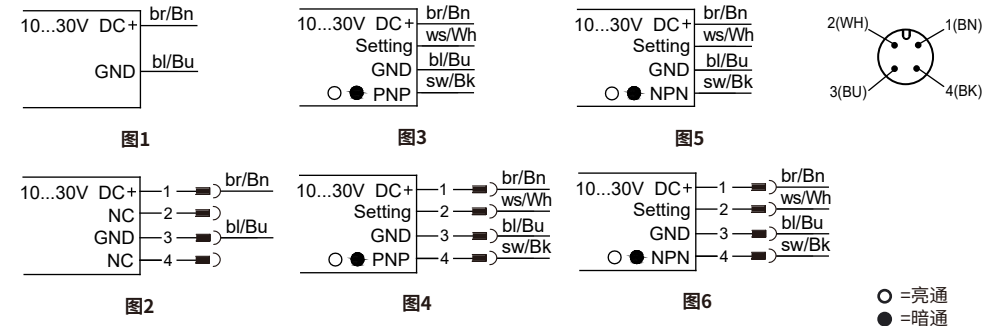


光斑尺寸

OG18-S6 (cm)



接线图



○ =亮通
● =暗通