

Product Description:

- M18 cylindrical installation method,length 40mm, with a wide selection of models.
- Suitable for logistics transportation,turnstiles,packaging, AGV industries,and other applications.

Product features:

- Compact size and appearance
- Long detection distance
- Visible LED red light source



Type	Distance	Beam	Output	Connection	Wiring
OG18-AK50VP6 *M ¹⁾	5...50mm	Red	PNP	Cable	Fig.1
OG18-AK50VP6Q	5...50mm	Red	PNP	M12 Connector	Fig.2
OG18-AK50VN6 *M ¹⁾	5...50mm	Red	NPN	Cable	Fig.3
OG18-AK50VN6Q	5...50mm	Red	NPN	M12 Connector	Fig.4
OG18-AK100VP6 *M ¹⁾	8...100mm	Red	PNP	Cable	Fig.1
OG18-AK100VP6Q	8...100mm	Red	PNP	M12 Connector	Fig.2
OG18-AK100VN6 *M ¹⁾	8...100mm	Red	NPN	Cable	Fig.3
OG18-AK100VN6Q	8...100mm	Red	NPN	M12 Connector	Fig.4

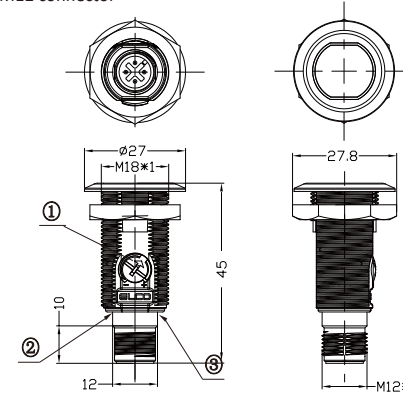
Note 1): * M refers to the cable length in meters. If there is no * M in the model, the default cable length is 2 meters.

TECHNICAL SPECIFICATION

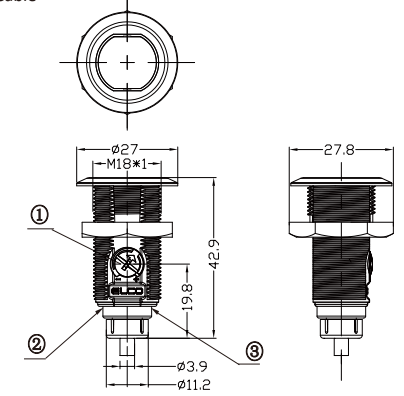
OPERATING VOLTAGE	10...30 V DC	AMBIENT TEMPERATURE OPERATION	-25°C...+55°C
RIPPLE VOLTAGE	≤ 10%	AMBIENT TEMPERATURE STORAGE	-40°C...+70°C
LIGHT SOURCE TYPE	Red LED	CIRCUIT PROTECTION	Short-circuit protection, reverse polarity protection, over-load protection
OUTPUT CHARACTERISTIC	PNP/NPN	PROTECTION DEGREE	IP67
LOAD CURRENT	≤200mA	HOUSING MATERIAL	PBT+ABS
SWITCHING FREQUENCY	400Hz	CONNECTING TYPE	*m TPU cable /M12 connector
ADJUSTMENT OF SENSITIVITY	Knob adjustment		

DIMENSIONS

M12 connector



Cable

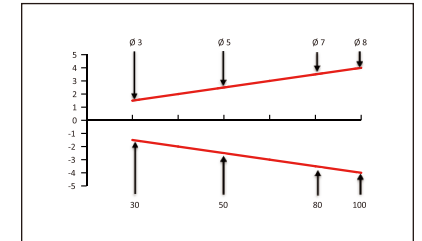


INDICATORS

①	Potentiometer	
②	Output indicator	Yellow
③	Power/stable indicator	Green

BEAM PATTERN

OG18-AK50/100 (mm)



ELECTRICAL CONNECTION

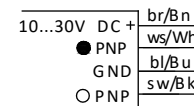


Fig.1

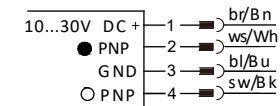


Fig.2

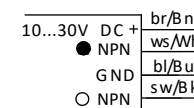


Fig.3

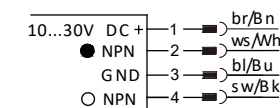
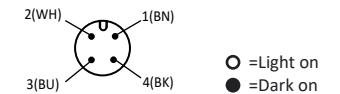


Fig.4



产品说明:

- M18圆柱形安装方式, 长度40mm, 丰富的机型选择。
- 适用物流运输, 闸机, 包装, AGV行业等应用。

产品特点:

- 小巧的尺寸外形
- 长检测距离
- 可见LED红色光源



型号	检测距离	光源	输出方式	连接方式	接线图
OG18-AK50VP6 *M ¹⁾	5...50mm	红光	PNP	线缆	图1
OG18-AK50VP6Q	5...50mm	红光	PNP	M12 连接器	图2
OG18-AK50VN6 *M ¹⁾	5...50mm	红光	NPN	线缆	图3
OG18-AK50VN6Q	5...50mm	红光	NPN	M12 连接器	图4
OG18-AK100VP6 *M ¹⁾	8...100mm	红光	PNP	线缆	图1
OG18-AK100VP6Q	8...100mm	红光	PNP	M12 连接器	图2
OG18-AK100VN6 *M ¹⁾	8...100mm	红光	NPN	线缆	图3
OG18-AK100VN6Q	8...100mm	红光	NPN	M12 连接器	图4

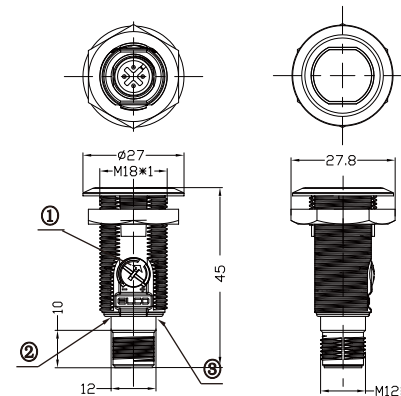
注1): *M表示线缆长度, 单位米, 型号中无*M默认线缆长度为2米。

技术参数

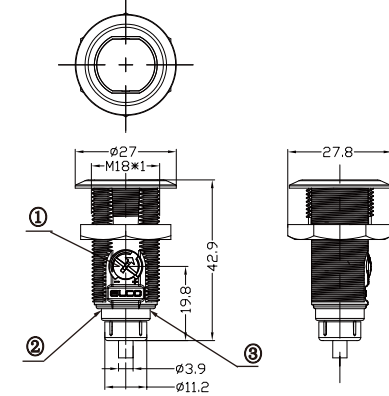
工作电压	10...30 V DC	工作温度	-25°C...+55°C
纹波电压	≤ 10%	环境温度	-40°C...+70°C
光源	红光 LED	保护电路	短路保护 反极性保护 输出过载保护
输出特性	PNP/NPN	防护等级	IP67
负载电流	≤200mA	外壳	PBT+ABS
开关频率	400Hz	连接方式	*m TPU线缆 /M12连接器
灵敏度调节	旋钮调节		

外形尺寸

M12 连接器



线缆

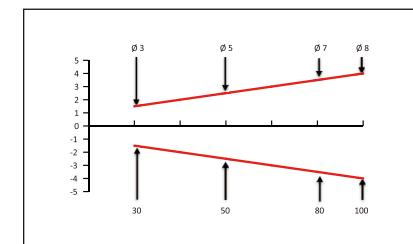


操作指示

①	电位器旋钮	
②	动作指示灯	黄灯
③	电源/稳态指示灯	绿灯

光斑尺寸

OG18-AK50/100 (mm)



接线图

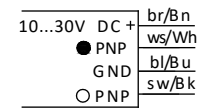


图1

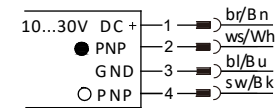


图2

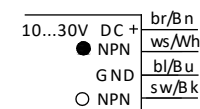


图3

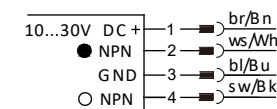
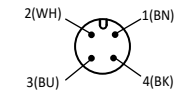


图4



○ = 亮通
● = 暗通