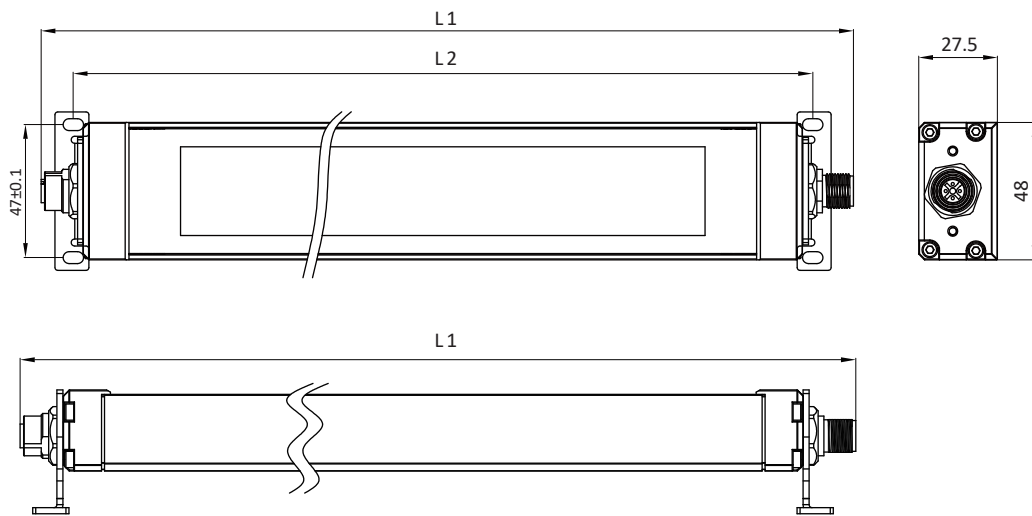


LF48 Series LED lights are suitable for the Milling Machine, Turning Machine, Grinding Machine Tools, etc. Flexible Production Lines, and other harshest industrial environments where need high waterproof, dustproof performance. The characteristics of low voltage makes LED can be directly incorporated into the industrial safety low voltage interface, so it is easy for industrial control.

- High power solid state LED array in white models
- 48 mm total width
- Lighted lengths available in four sizes
200 mm, 400 mm, 600 mm, 800 mm
- 18 ... 30 V DC operation
- Mounting brackets with $\pm 45^\circ$ angle adjustable
- Cascadable
- IP67



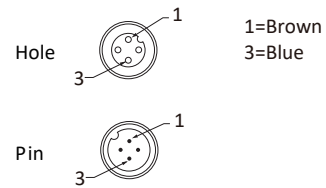
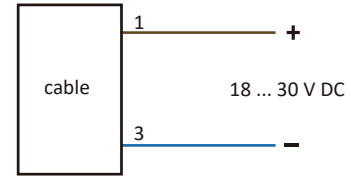
Sizes (mm)

Model	L1 (mm)	L2 (mm)
LF48W200 ...	2615	238
LF48W400 ...	4615	438
LF48W600 ...	6615	638
LF48W 800 ...	8615	838

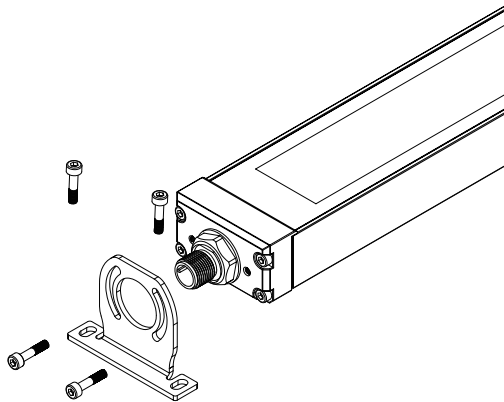
Technical Parameter

Type	LF48W200 ...	LF48W400 ...	LF48W600 ...	LF48W800 ...
Length (mm)	200	400	600	800
Operating voltage (V)	18 ... 30 V DC			
Power (W)	6-7	12-14	18-20	24-26
CCT (K)	5700			
Lumens (lm)	550	1100	1650	2200
IP	IP67			
Operating temperature	-20 °C ... 50 °C			
Note	The Power & Lumens has the fluctuation of 10% in normal			

Wiring



Installation instructions



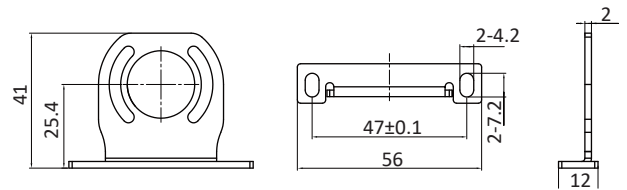
- Before installing the LED lights, Must ensure the power be off
- When installing the lights, please accord to the graphic for wiring installation
- Must access the anode of 18 ... 30 V DC voltage to No1 pin or hole (when cascaded), and the cathode 18 ... 30VDC voltage to No3 pin or hole

Accessories



Each LED light has 2pcs brackets, 4pcs M4*16 and 4pcs M3*8 screws for installation, and the angle of the brackets can be adjusted.

The size of the bracket is as follows:



CASCADE QTY

Model	QTY
LF48W200-M	8
LF48W400-M	4
LF48W600-M	3
LF48W800-M	2