

Product Description:

- Metal casing ,30m laser mirror reflrction.Coaxial technology, noblind spots,precise positioning,wide voltage power supply.
- Suitable for automotive manufacturing,metallurgical industry,non-standard equipment,textile machinery,etc

Product features:

- Long detection distance
- Adjust sensitivity by adjusting the knob
- IP67 protection rating
- Push-pull output mode



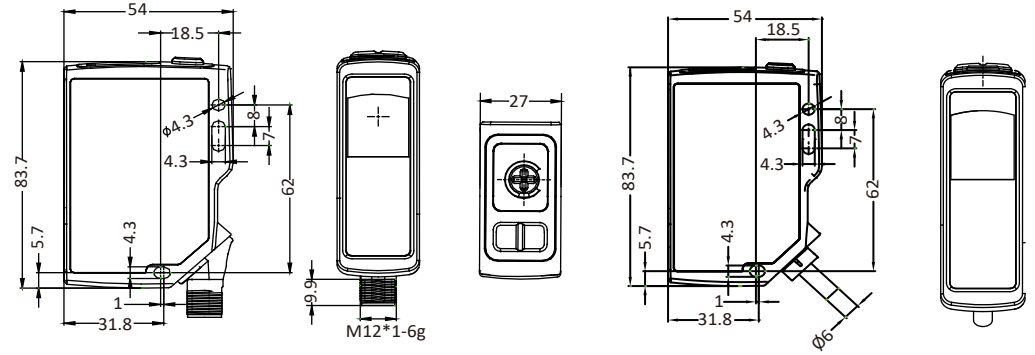
Type	Distance	light source	Output	Connection	Wiring
OSM70-RLVB6*M ¹⁾	30m	Laser Class I	Push-pull	Cable	Fig.1
OSM70-RLVB6Q	30m	Laser Class I	Push-pull	M12 connector	Fig.2

Note 1): * M refers to the cable length in meters. If there is no * M in the model, the default cable length is 2 meters.

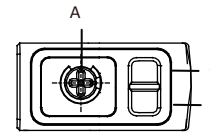
TECHNICAL SPECIFICATION

OPERATING VOLTAGE	10...30VDC	AMBIENT TEMPERATURE OPERATION	-20°C...+60°C
RIPPLE VOLTAGE	±10% of U _B	AMBIENT TEMPERATURE STORAGE	-40°C...+70°C
BEAM	Laser Class I	CIRCUIT PROTECTION	Short-circuit protection, Reverse polarity protection,
OUTPUT SWITCHING	Light+Dark	PROTECTION DEGREE	IP67
LOAD CURRENT	≤100mA	HOUSING	Die-Casting Zinc
CONSUMPTION CURRENT	≤25mA	CONNECTING TYPE	Cable M12 connector
SENSITIVITY	Rotary Switch	RESPONSE FREQUENCY	800Hz
RECEIVE STATE INDICATION	Green LED		
OUTPUT STATE INDICATION	Red LED		

DIMENSIONS

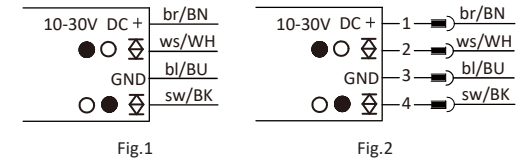


INDICATOR DIAGRAM



A	Potentiometer	
B	Output indicator	Red
C	Stable indicator	Green

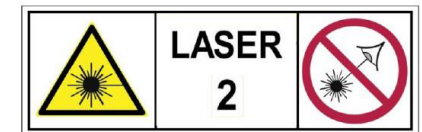
ELECTRICAL CONNECTION



ELSAFETY WARINGS

IEC 60825-1:2014
 EN 60825-1:2014+A11:2021
 Maximum output:3mW,pulse duration:3,2us,wavelength:658nm
 Beam divergence: 1 mrad

The laser can be turned off by turning off the power.
 Please read the instruction before installing the product to ensure the product is suitable.
 Please follow the standard rules used in the instruction.
 Please contact your local ELCO representative or call hotline if you have any questions about the products described in this instruction.



产品说明:

- 金属外壳, 30m激光镜反。采用同轴技术, 无盲区, 精准定位, 宽电压供电
- 适用于汽车制造、冶金行业、非标设备、纺织机械等应用

产品特点:

- 检测距离长
- 通过调节旋钮调节灵敏度
- IP67防护等级
- 推挽输出



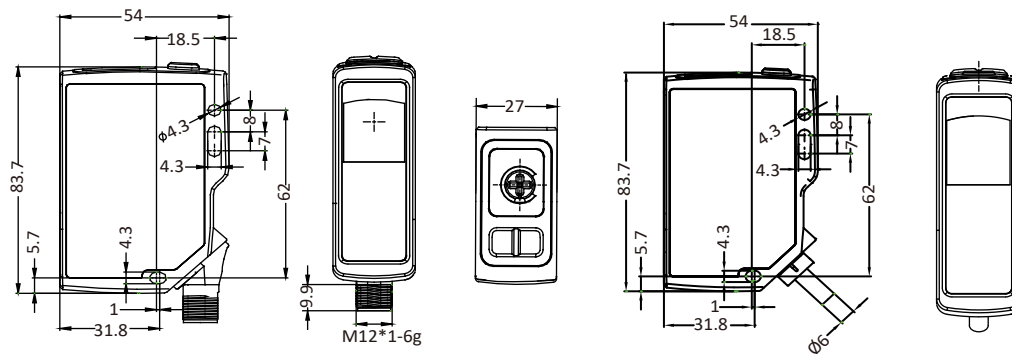
型号	检测距离	光源	输出方式	连接方式	接线图
OSM70-RLVB6 *M ¹⁾	30m	激光Class I	推挽	线缆式	图1
OSM70-RLVB6Q	30m	激光Class I	推挽	M12连接器	图2

注1): *M表示线缆长度, 单位米, 型号中无*M默认线缆长度为2米。

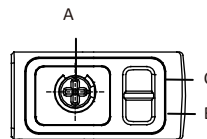
技术参数

工作电压	10...30VDC	工作环境温度	-20°C...+60°C
消耗电流	≤25mA	储存环境温度	-40°C...+70°C
纹波电压	±10% of U _s	保护电路	短路保护 反极性保护
光源	激光 Class I	防护等级	IP67
输出特性	亮态+暗态	外壳	压铸件
负载电流	≤100mA	连接方式	线缆式 M12连接器
消耗电流	≤25mA	响应频率	800Hz
灵敏度	单圈旋钮		
接收状态指示灯	绿色LED		
接收状态指示灯	红色LED		

外形尺寸



指示图



A	电位计	
B	输出状态指示灯	红色
C	接收状态指示灯	绿色

接线图

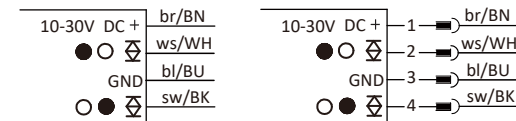


图1

图2

○ = 亮通
● = 暗通

安全警告

IEC 60825-1:2014
EN 60825-1:2014+A11:2021
最大输出: 3mW, 脉冲宽度: 3, 2us, 波长: 658nm
光束发散角: 1 mrad

可通过切断电源来关闭激光
安装产品前请阅读本说明书, 确保产品适用。
请遵守说明书中使用的标准规则。
如您对说明书中的描述有任何疑问, 请联系当地ELCO代表或致电ELCO。

