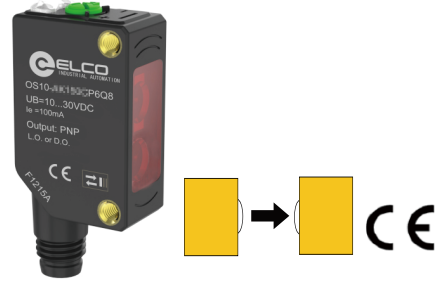


## Product Description:

- High performance small square type photoelectric sensor, standard mounting aperture 25.4mm
- Infrared light detection mode, suitable for applications such as mask machines, ATM machines, logistics transportation, new energy, etc.

## Product features:

- The brightness and darkness can be set and the detection distance can be adjusted
- IP67 protection rating
- M8 connector and PUR cable connection



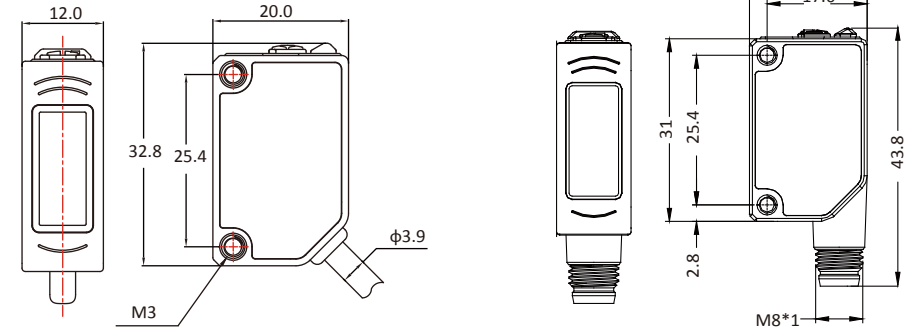
Type	Distance	Beam	Output	Connection	Wiring
OS10-S6 *M	30m	Infrared	---	Cable	Fig.1
OS10-ECN6 *M		---	NPN	Cable	Fig.2
OS10-ECP6 *M		---	PNP	Cable	Fig.3
OS10-S6Q8	30m	Infrared	---	M8 Connector	Fig.4
OS10-ECN6Q8		---	NPN	M8 Connector	Fig.5
OS10-ECP6Q8		---	PNP	M8 Connector	Fig.6

Note 1): \* M refers to the cable length in meters. If there is no \* M in the model, the default cable length is 2 meters.

## TECHNICAL SPECIFICATION

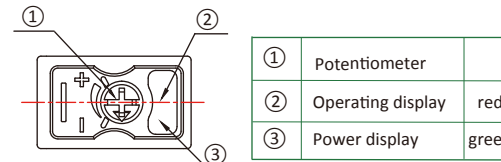
<b>OPERATING VOLTAGE</b>	10...30VDC	<b>AMBIENT TEMPERATURE OPERATION</b>	-25°C...+55°C
<b>RIPPLE VOLTAGE</b>	±10% of U <sub>B</sub>	<b>AMBIENT TEMPERATURE STORAGE</b>	-40°C...+70°C
<b>LIGHT SOURCE TYPE</b>	Infrared,850nm	<b>CIRCUIT PROTECTION</b>	Short-circuit protection, reverse polarity protection, over-load protection
<b>OUTPUT CHARACTERISTIC</b>	PNP/NPN	<b>PROTECTION DEGREE</b>	IP67
<b>LOAD CURRENT</b>	≤100mA	<b>HOUSING MATERIAL</b>	PC+PBT,PMMA
<b>RESPONSE TIME</b>	≤2ms	<b>CONNECTING TYPE</b>	PUR cable /4-pin M8 connector
<b>ADJUSTMENT OF OPERATING DISTANCE</b>	Potentiometer	<b>ANGLE OF DIVERGENCE</b>	3°
<b>SWITCH MODE SETTING</b>	WH:U+/blank Light On U- Dark on		

## DIMENSIONS

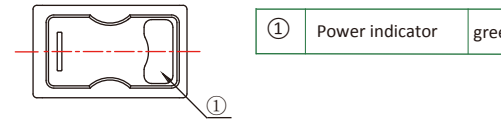


## INDICATORS

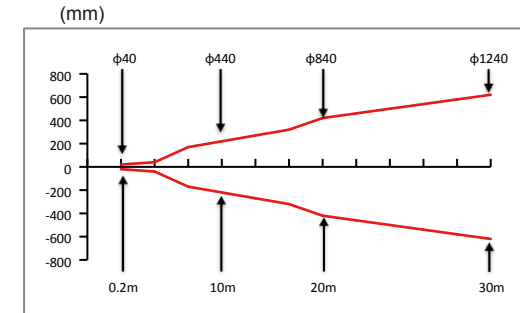
### Receiver



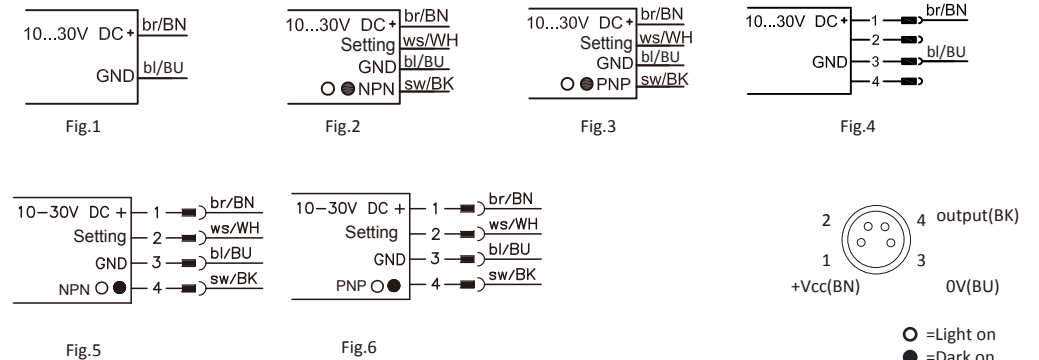
### Emmitter



## SPOT PATTERN



## ELECTRICAL CONNECTION



## 产品说明:

- 高性能小方型光电传感器，标准安装孔径25.4mm
- 红外对射检测模式，适用口罩机、ATM机、物流运输、新能源等应用

## 产品特点:

- 亮暗通可设置和检测距离可调
- IP67防护等级
- M8接插件和PUR线缆连接



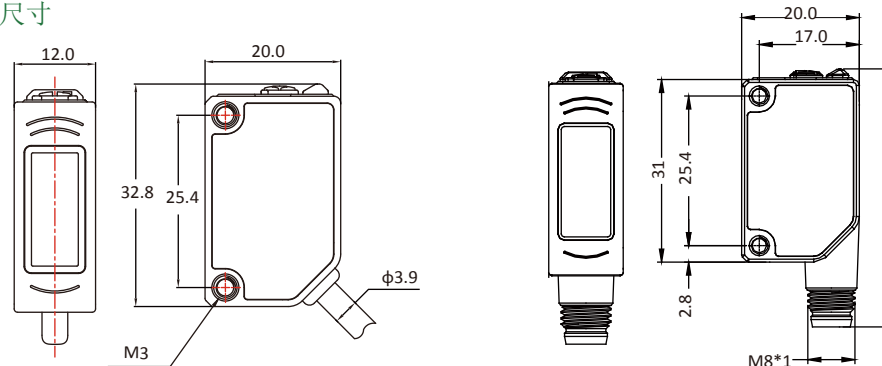
型号	检测距离	光源	输出方式	连接方式	接线图
OS10-S6 *M <sup>1)</sup>	30m	红外光	---	线缆	图1
OS10-ECN6 *M <sup>1)</sup>		---	NPN	线缆	图2
OS10-ECP6 *M <sup>1)</sup>		---	PNP	线缆	图3
OS10-S6Q8	30m	红外光	---	M8 连接器	图4
OS10-ECN6Q8		---	NPN	M8 连接器	图5
OS10-ECP6Q8		---	PNP	M8 连接器	图6

注1): \*M表示线缆长度，单位米，型号中无\*M默认线缆长度为2米。

## 技术参数

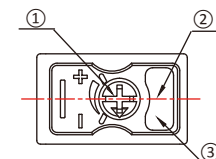
工作电压	10...30VDC	工作温度	-25°C...+55°C
纹波电压	±10% of U <sub>s</sub>	环境温度	-40°C...+70°C
光源	红外光,850nm	保护电路	短路保护 反极性保护 输出过载保护
输出特性	PNP/NPN	防护等级	IP67
负载电流	≤100mA	外壳	PC+PBT,PMMA
响应时间	≤2ms	连接方式	PUR线缆 /M8 连接器
检测距离调节	旋钮调节	发射角度	3°
开关模式设置	白线: U+/悬空 亮通 U- 暗通		

## 外形尺寸



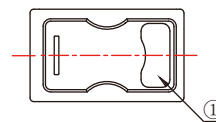
## 操作指示

接收端



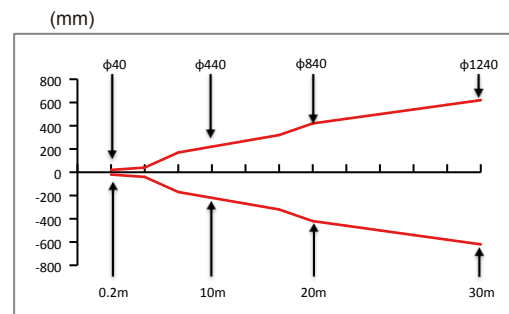
①	检测距离调节	
②	操作指示灯	红色
③	电源指示灯	绿色

发射端



①	电源指示灯	绿色
---	-------	----

## 光斑图



## 接线图

