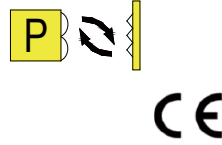


Product Description:

- High performance small square type photoelectric sensor, standard mounting aperture 25.4mm
- Polarized mirror anti detection mode, suitable for applications such as mask machines, ATM machines, logistics transportation, new energy, etc.

Product features:

- The brightness and darkness can be set and the detection distance can be adjusted
- IP67 protection rating
- M8 connector and PUR cable connection



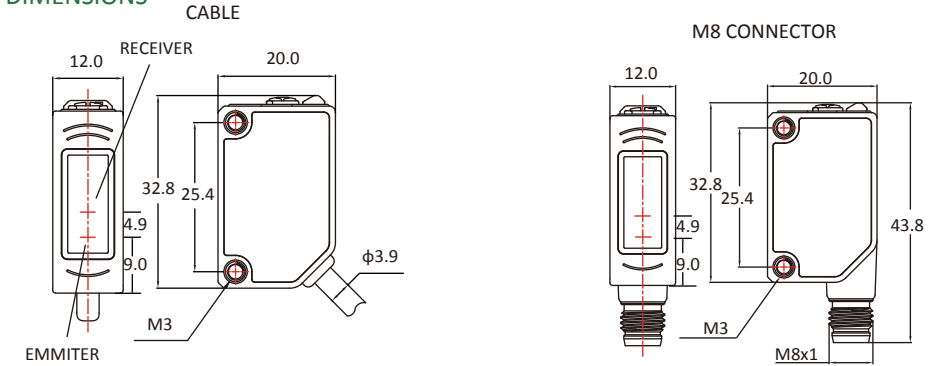
| Type | Distance | Beam | Output | Connection | Wiring |
|------------------------------|----------|-------|--------|--------------|--------|
| OS10-RPLCN6 *M ¹⁾ | 5m | Laser | NPN | Cable | Fig.1 |
| OS10-RPLCP6 *M ¹⁾ | 5m | Laser | PNP | Cable | Fig.2 |
| OS10-RPLCN6Q8 | 5m | Laser | NPN | M8 Connector | Fig.3 |
| OS10-RPLCP6Q8 | 5m | Laser | PNP | M8 Connector | Fig.4 |

Note 1): * M refers to the cable length in meters. If there is no * M in the model, the default cable length is 2 meters.

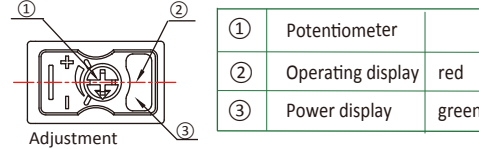
TECHNICAL SPECIFICATION

| | | | |
|---|------------------------------------|--------------------------------------|---|
| OPERATING VOLTAGE | 10...30VDC | AMBIENT TEMPERATURE OPERATION | -25°C...+55°C |
| RIPPLE VOLTAGE | ±10% of U _B | AMBIENT TEMPERATURE STORAGE | -40°C...+70°C |
| LIGHT SOURCE TYPE | Laser light(Class 1) | CIRCUIT PROTECTION | Short-circuit protection, reverse polarity protection, over-load protection |
| OUTPUT CHARACTERISTIC | PNP/NPN | PROTECTION DEGREE | IP67 |
| LOAD CURRENT | ≤100mA | HOUSING MATERIAL | PC+PBT, GLASS |
| SWITCHING FREQUENCY | 500Hz | CONNECTING TYPE | PUR cable /M8 connector |
| ADJUSTMENT OF OPERATING DISTANCE | Knob adjustment | MIN. OBJECT | 1mm wrie |
| SWITCH MODE | WH:U+/blank Light On U- Dark on | | |

DIMENSIONS



INDICATORS



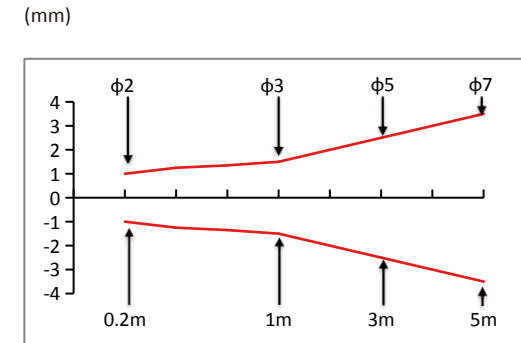
Note:

1. When the sensitivity is minimum, there is no response to the reflector or highlighted objects.
2. The maximum potentiometer value is not equal to the maximum distance of 5m.

Setting Steps

1. Place the reflector to the demanded position(≤5m), slowly increase the sensitivity from the minimum, till the red and green LEDs are both on, and then setting is completed.
2. When the sensitivity is maximum, if the sensor is triggered by the highlight object, the sensitivity needs to be reduced till the red and green LEDs just turns on.

SPOT PATTERN



ELECTRICAL CONNECTION

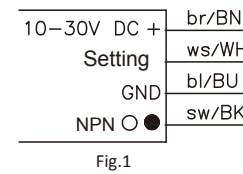


Fig.1

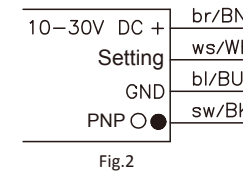


Fig.2

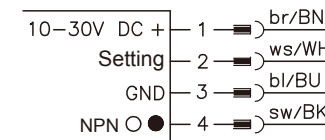


Fig.3

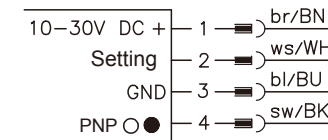
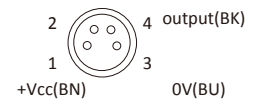


Fig.4



○ =Light on
● =Dark on

产品说明:

- 高性能小方型光电传感器, 标准安装孔径25.4mm
- 偏振镜反检测模式, 适用于口罩机、ATM机、物流输送、新能源等应用

产品特点:

- 亮暗通可设置和检测距离可调
- IP67防护等级
- M8 接插件, 电缆接线



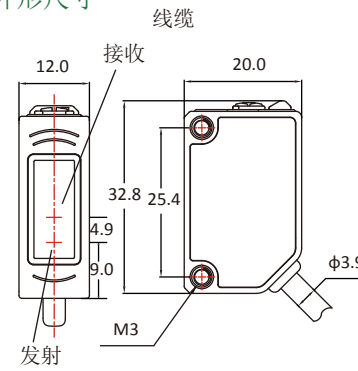
| 型号 | 检测距离 | 光源 | 输出方式 | 连接方式 | 接线图 |
|------------------------------|------|----|------|--------|-----|
| OS10-RPLCN6 *M ¹⁾ | 5m | 激光 | NPN | 线缆 | 图1 |
| OS10-RPLCP6 *M ¹⁾ | 5m | 激光 | PNP | 线缆 | 图2 |
| OS10-RPLCN6Q8 | 5m | 激光 | NPN | M8 连接器 | 图3 |
| OS10-RPLCP6Q8 | 5m | 激光 | PNP | M8 连接器 | 图4 |

注1): *M表示线缆长度, 单位米, 型号中无*M默认线缆长度为2米。

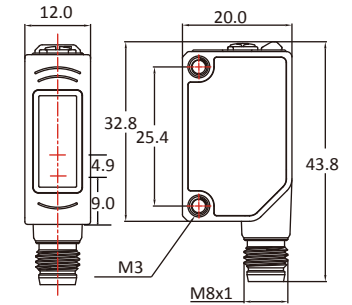
技术参数

| | | | |
|--------|------------------------|-------|-------------------------|
| 工作电压 | 10...30VDC | 工作温度 | -25°C...+55°C |
| 纹波电压 | ±10% of U _B | 环境温度 | -40°C...+70°C |
| 光源 | 激光 (CLASS 1) | 保护电路 | 短路保护 反极性保护 输出过载保护 |
| 输出特性 | PNP/NPN | 防护等级 | IP67 |
| 负载电流 | ≤100mA | 外壳 | PC+PBT, GLASS |
| 开关频率 | 500Hz | 连接方式 | PUR线缆 /M8 连接器 |
| 检测距离调节 | 旋钮调节 | 最小被测物 | 1mm直径铁丝 |
| 开关模式设置 | 白线: U+/悬空 亮通 U- 暗通 | | |

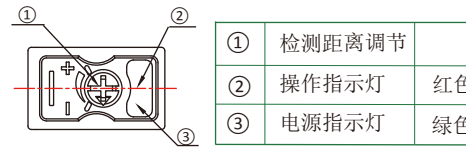
外形尺寸



M8 连接器



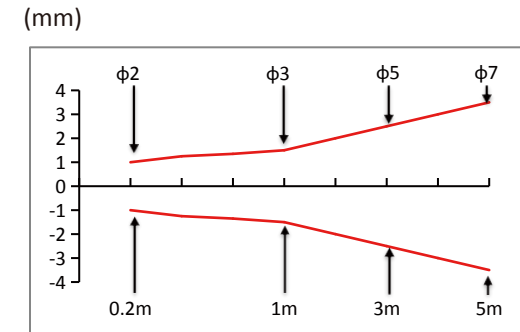
操作指示



注意:

1. 灵敏度最小时, 产品应对反光板或高光物体均无反应。
 2. 灵敏度最大时, 感应距离不小于5米。
- 设置步骤:
1. 将反光板放置到目标位置 (≤5m), 慢慢增加灵敏度, 直到红绿灯全亮, 设置完成。
 2. 灵敏度最大时, 如果产品对高光物体有反应, 可适当降低灵敏度。

光斑图



接线图

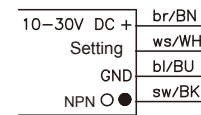


图1

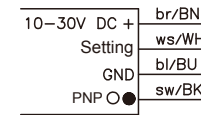


图2

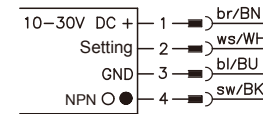


图3

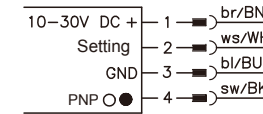
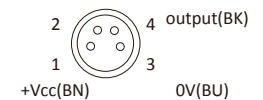


图4



- = 亮通
- = 暗通