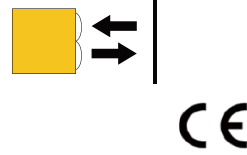


Product Description:

- High performance small square type photoelectric sensor, standard mounting aperture 25.4mm
- Diffuse reflection detection mode, suitable for applications such as mask machines, ATM machines, logistics transportation, new energy, etc.

Product features:

- The brightness and darkness can be set and the detection distance can be adjusted
- IP67 protection rating
- M8 connector and PUR cable connection



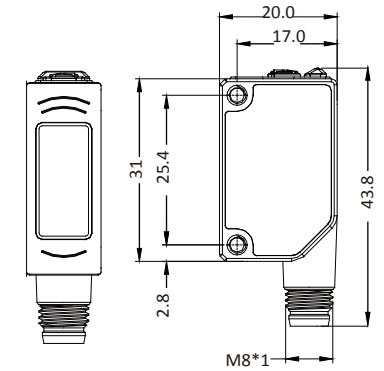
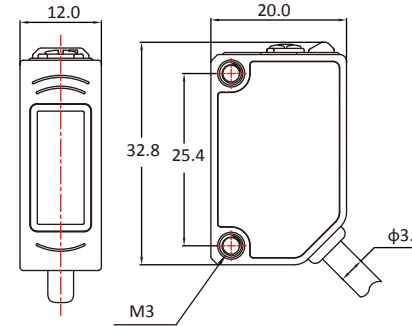
Type	Distance	Beam	Output	Connection	Wiring
OS10-K1000CN6 *M ¹⁾	1m	Red	NPN	Cable	Fig.1
OS10-K1000CP6 *M ¹⁾	1m	Red	PNP	Cable	Fig.2
OS10-K1000CN6Q8	1m	Red	NPN	M8 Connector	Fig.3
OS10-K1000CP6Q8	1m	Red	PNP	M8 Connector	Fig.4

Note 1): * M refers to the cable length in meters. If there is no * M in the model, the default cable length is 2 meters.

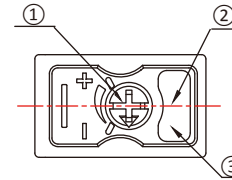
TECHNICAL SPECIFICATION

OPERATING VOLTAGE	10...30VDC	AMBIENT TEMPERATURE OPERATION	-25°C...+55°C
RIPPLE VOLTAGE	±10% of U _B	AMBIENT TEMPERATURE STORAGE	-40°C...+70°C
LIGHT SOURCE TYPE	Red LED	CIRCUIT PROTECTION	Short-circuit protection, reverse polarity protection, over-load protection
OUTPUT CHARACTERISTIC	PNP/NPN	PROTECTION DEGREE	IP67
LOAD CURRENT	≤100mA	HOUSING MATERIAL	PC+PBT,PMMA
SWITCHING FREQUENCY	500Hz	CONNECTING TYPE	PUR cable /M8 connector
ADJUSTMENT OF OPERATING DISTANCE	Knob adjustment		
SWITCH MODE	WH:U+/blank Light On U- Dark on		

DIMENSIONS

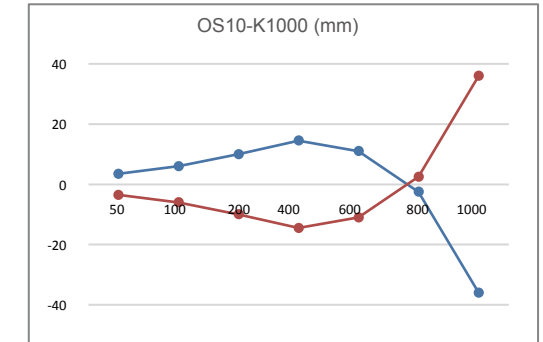


INDICATORS



①	Potentiometer	
②	Operating display	red
③	Power display	green

PARALLEL MOVEMENT CHARACTERISTIC CURVE



ELECTRICAL CONNECTION

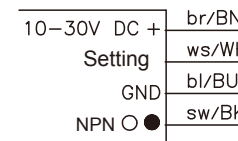


Fig.1

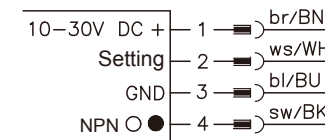


Fig.3

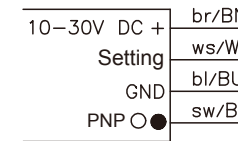


Fig.2

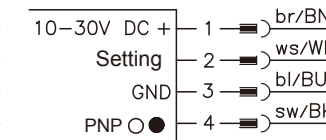
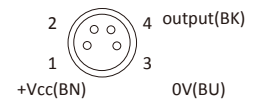


Fig.4



○ =Light on
● =Dark on

产品说明:

- 高性能小方型光电传感器，标准安装孔径25.4mm
- 漫反射检测模式，适用于口罩机、ATM机、物流输送、新能源等应用

产品特点:

- 亮暗通可设置和检测距离可调
- IP67防护等级
- M8 接插件，PUR线缆接线



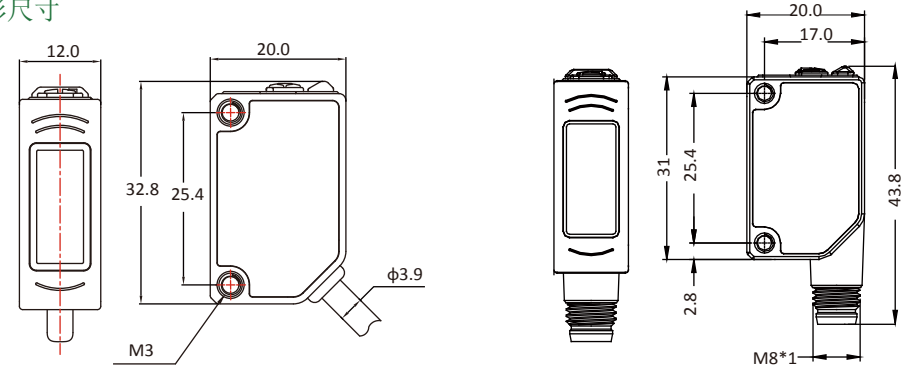
型号	检测距离	光源	输出方式	连接方式	接线图
OS10-K1000CN6 *M ¹⁾	1m	红光	NPN	线缆	图1
OS10-K1000CP6 *M ¹⁾	1m	红光	PNP	线缆	图2
OS10-K1000CN6Q8	1m	红光	NPN	M8 连接器	图3
OS10-K1000CP6Q8	1m	红光	PNP	M8 连接器	图4

注1)：*M表示线缆长度，单位米，型号中无*M默认线缆长度为2米。

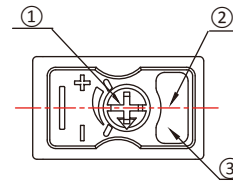
技术参数

工作电压	10...30VDC	工作温度	-25°C...+55°C
纹波电压	±10% of U _B	环境温度	-40°C...+70°C
光源	红光 LED	保护电路	短路保护 反极性保护 输出过载保护
输出特性	PNP/NPN		
负载电流	≤100mA	防护等级	IP67
开关频率	500Hz	外壳	PC+PBT,PMMA
检测距离调节	旋钮调节	连接方式	*m PUR线缆 /M8 连接器
开关模式设置	白线: U+/悬空 亮通 U- 暗通		

外形尺寸

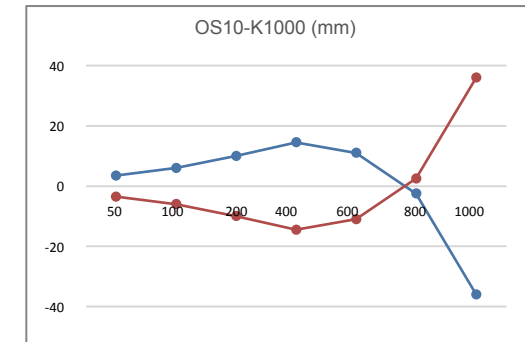


操作指示



①	检测距离调节	
②	操作指示灯	红色
③	电源指示灯	绿色

平移特性曲线



接线图

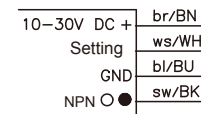


图1

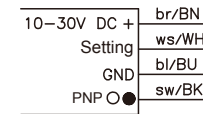


图2

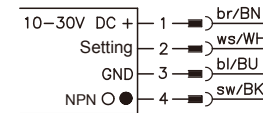


图3

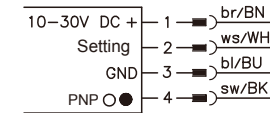
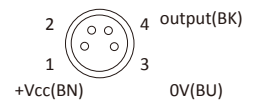


图4



○ =亮通
● =暗通