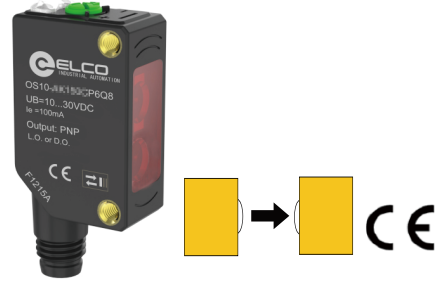


Product Description:

- High performance small square type photoelectric sensor, standard mounting aperture 25.4mm
- Laser detection mode, suitable for applications such as mask machines, ATM machines, logistics transportation, new energy, etc.

Product features:

- The brightness and darkness can be set and the detection distance can be adjusted
- IP67 protection rating
- M8 connector and PUR cable connection



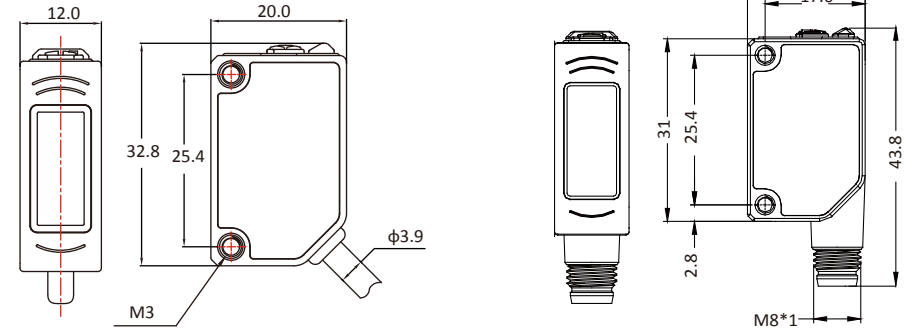
Type	Distance	Beam	Output	Connection	Wiring
OS10-SL6 *M	30m	Laser	---	Cable	Fig.1
OS10-ELCN6 *M		---	NPN	Cable	Fig.2
OS10-ELCP6 *M		---	PNP	Cable	Fig.3
OS10-SL6Q8	30m	Laser	---	M8 Connector	Fig.4
OS10-ELCN6Q8		---	NPN	M8 Connector	Fig.5
OS10-ELCP6Q8		---	PNP	M8 Connector	Fig.6

Note 1): * M refers to the cable length in meters. If there is no * M in the model, the default cable length is 2 meters.

TECHNICAL SPECIFICATION

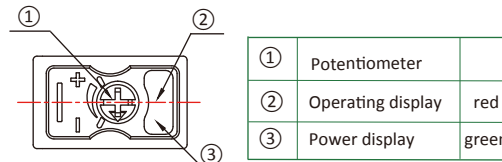
OPERATING VOLTAGE	10...30VDC	AMBIENT TEMPERATURE OPERATION	-25°C...+55°C
RIPPLE VOLTAGE	±10% of U _B	AMBIENT TEMPERATURE STORAGE	-40°C...+70°C
LIGHT SOURCE TYPE	Laser	CIRCUIT PROTECTION	Short-circuit protection, reverse polarity protection, over-load protection
OUTPUT CHARACTERISTIC	PNP/NPN	PROTECTION DEGREE	IP67
LOAD CURRENT	≤100mA	HOUSING MATERIAL	PC+PBT,PMMA
RESPONSE TIME	≤2ms	CONNECTING TYPE	PUR cable /4-pin M8 connector
ADJUSTMENT OF OPERATING DISTANCE	Potentiometer		
SWITCH MODE SETTING	WH:U+/blank Light On U- Dark on		

DIMENSIONS

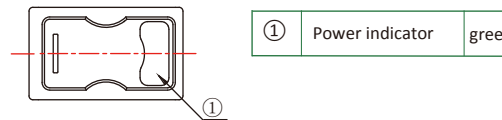


INDICATORS

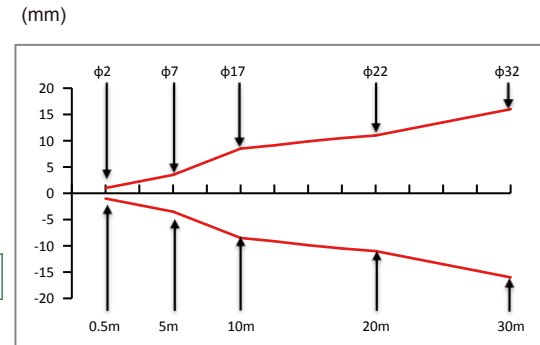
Receiver



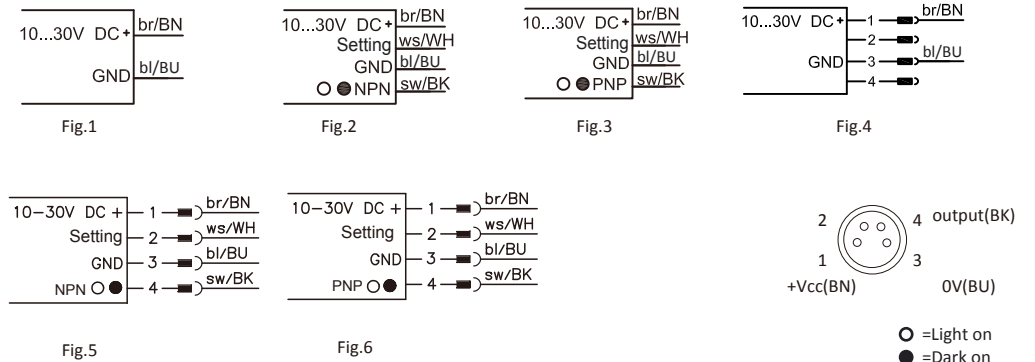
Emmitter



SPOT PATTERN



ELECTRICAL CONNECTION

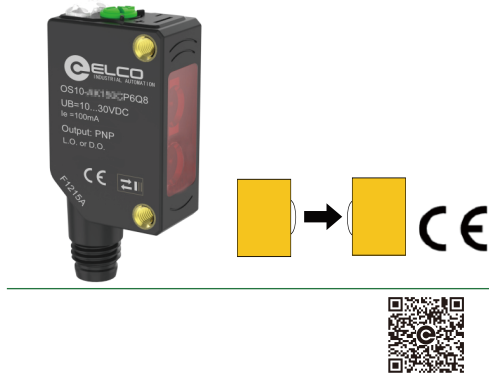


产品说明:

- 高性能小方型光电传感器，标准安装孔径25.4mm
- 激光对射检测模式，适用口罩机、ATM机、物流输送、新能源等应用

产品特点:

- 亮暗通可设置和检测距离可调
- IP67防护等级
- M8接插件和PUR线缆连接



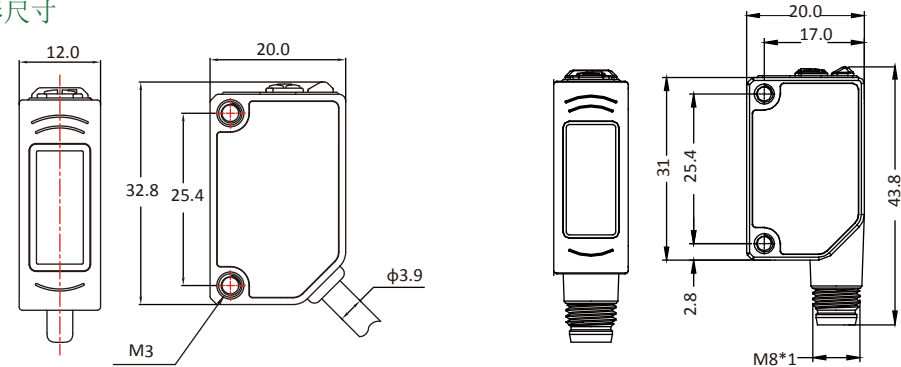
型号	检测距离	光源	输出方式	连接方式	接线图
OS10-SL6 *M ¹⁾	30m	激光	---	线缆	图1
OS10-ELCN6 *M ¹⁾		---	NPN	线缆	图2
OS10-ELCP6 *M ¹⁾		---	PNP	线缆	图3
OS10-SL6Q8	30m	激光	---	M8 连接器	图4
OS10-ELCN6Q8		---	NPN	M8 连接器	图5
OS10-ELCP6Q8		---	PNP	M8 连接器	图6

注1): *M表示线缆长度, 单位米, 型号中无*M默认线缆长度为2米。

技术参数

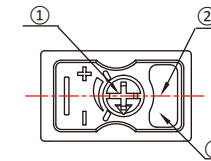
工作电压	10...30VDC	工作温度	-25°C...+55°C
纹波电压	±10% of U _s	环境温度	-40°C...+70°C
光源	激光	保护电路	短路保护 反极性保护 输出过载保护
输出特性	PNP/NPN	防护等级	IP67
负载电流	≤100mA	外壳	PC+PBT, PMMA
响应时间	≤2ms	连接方式	PC+PBT, PMMA
检测距离调节	旋钮调节	连接方式	PUR线缆 /M8 连接器
开关模式设置	白线: U+/悬空 亮通 U- 暗通		

外形尺寸



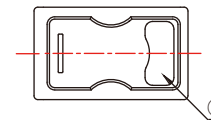
操作指示

接收端



①	检测距离调节	
②	操作指示灯	红色
③	电源指示灯	绿色

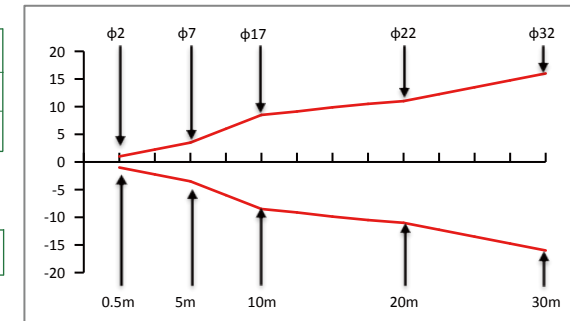
发射端



①	电源指示灯	绿色
---	-------	----

光斑图

(mm)



接线图

