

Product Description:

- High performance small square type photoelectric sensor, standard mounting aperture 25.4mm
- 350mm BGS diffuse, suitable for applications such as mask machines, ATM machines, logistics transportation, new energy, etc.

Product features:

- The brightness and darkness can be selected and the detection distance can be adjusted
- IP67 protection rating
- M8 connector and PUR cable connection



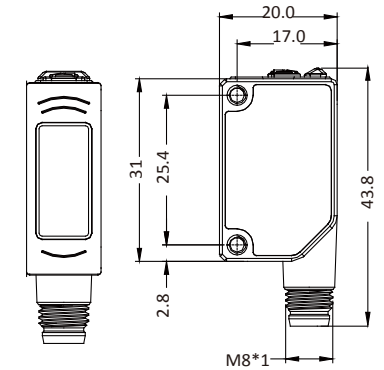
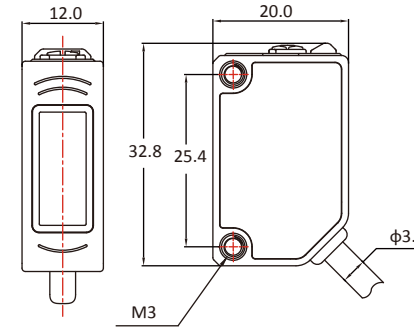
Type	Distance	Beam	Output	Connection	Wiring
OS10-AK150CN6 *M <sup>1)</sup>	5...150mm	Red	NPN	Cable	Fig.1
OS10-AK150CP6 *M <sup>1)</sup>	5...150mm	Red	PNP	Cable	Fig.2
OS10-AK150CN6Q8	5...150mm	Red	NPN	M8 Connector	Fig.3
OS10-AK150CP6Q8	5...150mm	Red	PNP	M8 Connector	Fig.4
OS10-AK350CN6 *M	5...350mm	Red	NPN	Cable	Fig.1
OS10-AK350CP6 *M	5...350mm	Red	PNP	Cable	Fig.2
OS10-AK350CN6Q8	5...350mm	Red	NPN	M8 Connector	Fig.3
OS10-AK350CP6Q8	5...350mm	Red	PNP	M8 Connector	Fig.4

Note 1): \* M refers to the cable length in meters. If there is no \* M in the model, the default cable length is 2 meters.

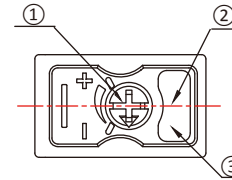
TECHNICAL SPECIFICATION

<b>OPERATING VOLTAGE</b>	10...30VDC	<b>AMBIENT TEMPERATURE OPERATION</b>	-25°C...+55°C
<b>RIPPLE VOLTAGE</b>	±10% of U <sub>B</sub>	<b>AMBIENT TEMPERATURE STORAGE</b>	-40°C...+70°C
<b>LIGHT SOURCE TYPE</b>	Red LED,625nm	<b>CIRCUIT PROTECTION</b>	Short-circuit protection, reverse polarity protection, over-load protection
<b>OUTPUT CHARACTERISTIC</b>	PNP/NPN	<b>PROTECTION DEGREE</b>	IP67
<b>LOAD CURRENT</b>	≤100mA	<b>HOUSING MATERIAL</b>	PC+PBT,PMMA
<b>SWITCHING FREQUENCY</b>	500Hz	<b>CONNECTING TYPE</b>	PUR cable /4-pin M8 connector
<b>ADJUSTMENT OF OPERATING DISTANCE</b>	Potentiometer		
<b>SWITCH MODE SETTING</b>	WH:U+/blank Light On U- Dark on		

DIMENSIONS

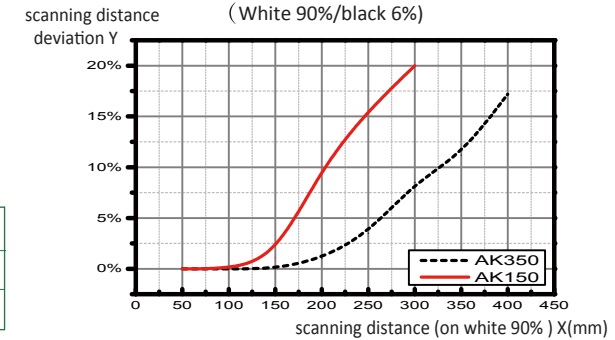


INDICATORS



①	Scanning distance adjuster	
②	Operating display	red
③	Power display	green

Scanning distance difference Curve (White 90%/black 6%)



ELECTRICAL CONNECTION

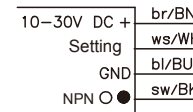


Fig.1

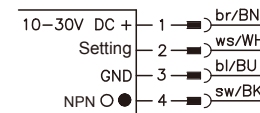


Fig.3

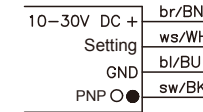


Fig.2

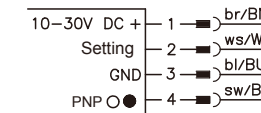
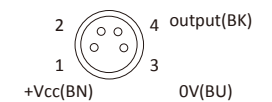


Fig.4



○ =Light on  
● =Dark on

## 产品说明:

- 高性能小方型光电传感器，标准安装孔径25.4mm
- 350mm BGS漫反, 适用口罩机、ATM机、物流输送、新能源等应用。

## 产品特点:

- 350mm BGS 亮暗通可选和检测距离可调
- IP67防护等级



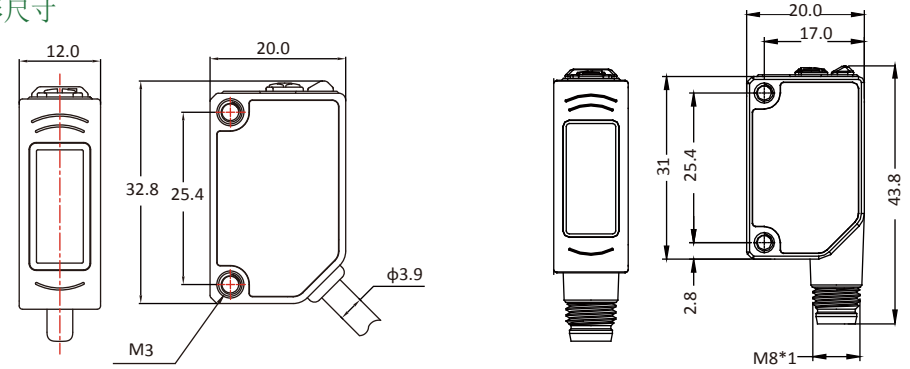
型号	检测距离	光源	输出方式	连接方式	接线图
OS10-AK150CN6 *M <sup>1)</sup>	5...150mm	红光	NPN	线缆	图1
OS10-AK150CP6 *M <sup>1)</sup>	5...150mm	红光	PNP	线缆	图2
OS10-AK150CN6Q8	5...150mm	红光	NPN	M8 连接器	图3
OS10-AK150CP6Q8	5...150mm	红光	PNP	M8 连接器	图4
OS10-AK350CN6 *M <sup>1)</sup>	5...350mm	红光	NPN	线缆	图1
OS10-AK350CP6 *M <sup>1)</sup>	5...350mm	红光	PNP	线缆	图2
OS10-AK350CN6Q8	5...350mm	红光	NPN	M8 连接器	图3
OS10-AK350CP6Q8	5...350mm	红光	PNP	M8 连接器	图4

注1) : \*M表示线缆长度, 单位米, 型号中无\*M默认线缆长度为2米。

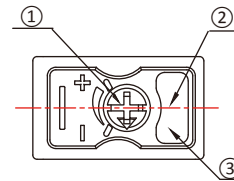
## 技术参数

工作电压	10...30VDC	工作温度	-25°C...+55°C
纹波电压	±10% of U <sub>s</sub>	环境温度	-40°C...+70°C
光源	红光 LED,625nm	保护电路	短路保护 反极性保护 输出过载保护
输出特性	PNP/NPN	防护等级	IP67
负载电流	≤100mA	外壳	PC+PBT,PMMA
开关频率	500Hz	连接方式	PUR线缆 /M8 连接器
检测距离调节	旋钮调节		
开关模式设置	白线: U+/悬空 亮通 U- 暗通		

## 外形尺寸

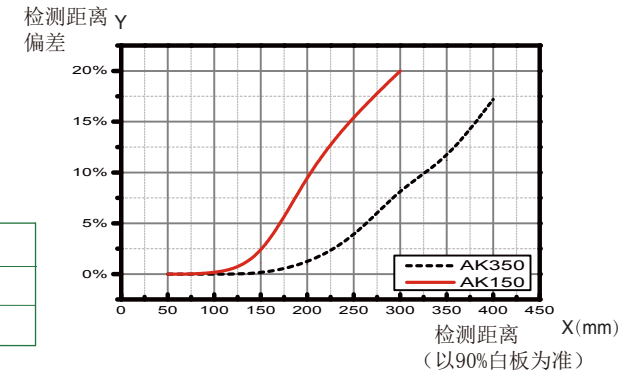


## 操作指示



①	检测距离调节	
②	操作指示灯	红色
③	电源指示灯	绿色

## 检测距离差异曲线 (白90%/黑6%)



## 接线图

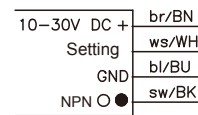


图1

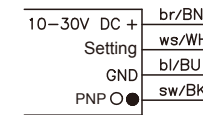


图2

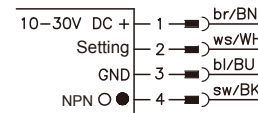


图3

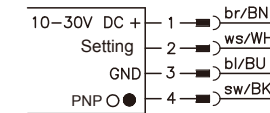
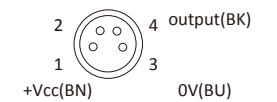


图4



○ =亮通  
● =暗通