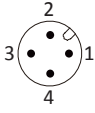


## C40 NAMUR SERIES

## ARTICLE PROPERTIES

<b>SENSOR TYPE</b>	Inductive sensor	<b>CONNECTION TYPES</b> (see table)
<b>SIZE</b>	40 x 40 x 66 mm	<ul style="list-style-type: none"> <li>M12 connector, A-coded</li> </ul>
<b>RATED OPERATING DISTANCE</b>	see table	
<b>NUMBER OF CONDUCTORS</b>	2-wire (see table)	

## MECHANICAL DATA

<b>MOUNTING</b>	flush/non-flush (see table)
<b>HOUSING</b>	rectangular
<b>MATERIAL HOUSING</b>	PBT
<b>MATERIAL SENSING SURFACE</b>	PBT
<b>TIGHTENING TORQUE LOCKING</b>	1.8 Nm
<b>STANDARD TEST</b>	FE360
<b>ATTENUATION COEFFICIENT</b>	St37 = 1, V2A = 0.7, Al = 0.3

## ELECTRICAL DATA

<b>OPERATING VOLTAGE</b>	DC: 7.7 ... 9 V DC
<b>RATED OPERATING CURRENT</b>	2-wire: ≤ 1 mA (trigger) ≥ 2.2 mA (not trigger)
<b>SWITCHING FREQUENCY</b>	see table
<b>SWITCHING OUTPUT</b>	see table
<b>FUNCTION INDICATOR</b>	yellow LED
<b>HYSTERESIS</b>	3 ... 15 %
<b>TEMPERATURE DRIFT</b>	±10 %
<b>SHORT-CIRCUIT PROTECTION</b>	yes
<b>OVERLOAD RESISTANCE</b>	yes
<b>REVERSE POLARITY PROTECTION</b>	yes

## ENVIRONMENTAL CONDITIONS

<b>PROTECTION CLASS</b>	IP67	<b>VIBRATION RESISTANCE (EN 60068-2-27)</b>	55 Hz, 1 mm
<b>AMBIENT TEMPERATURE</b>	-25 ... 70 °C	<b>SHOCK RESISTANCE (EN 60068-2-6)</b>	30g/11 ms

## STANDARDS AND DIRECTIVES

<b>LOW-VOLTAGE SWITCHGEAR AND CONTROLGEAR</b>	DIN EN IEC 60947-5-2:2021-04
---	------------------------------

## APPROVALS



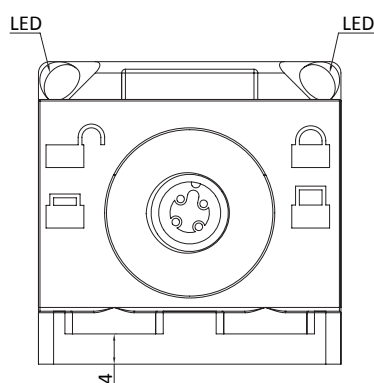
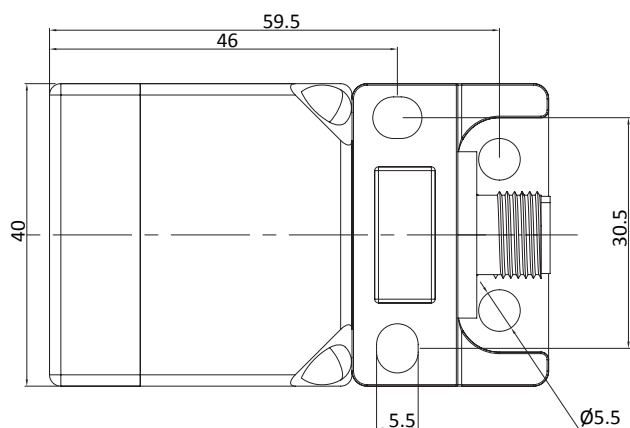
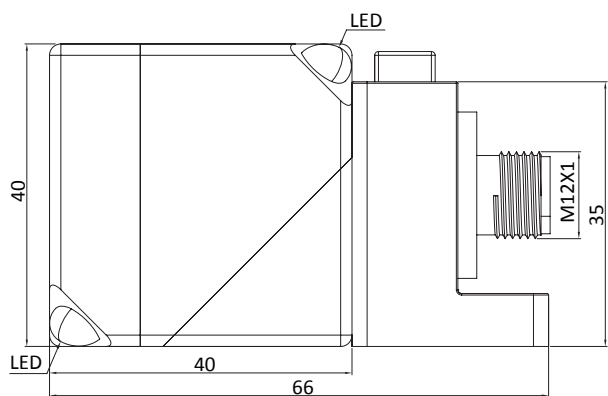
C40 NAMUR SERIES

DC 2-WIRE OUTPUT M12 CONNECTOR

Article number	Mounting	Rated operating distance Sn	Switching output (wiring diagram)	Switching frequency	Dimensions
Fi20-C40-NE-Q12	flush	20 mm	NAMUR NC (WD14)	150 Hz	see Fig. 1
Ni40-C40-NE-Q12	non-flush	40 mm	NAMUR NC (WD14)	150 Hz	see Fig. 1

DIMENSIONS

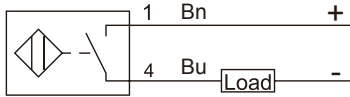
Fig. 1 Inductive sensor with M12 connector (flush/non-flush)



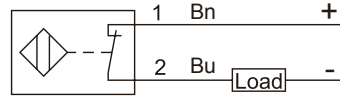
C40 NAMUR SERIES

WIRING DIAGRAMS (Note: 1 / 2 / 3 / 4 connector and terminals pin number Bn / Bu / Wh / Bk cable color)

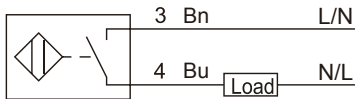
**WD1 DC 2-wire NO**



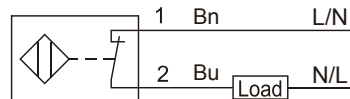
**WD2 DC 2-wire NC**



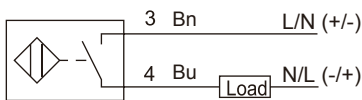
**WD3 AC 2-wire NO**



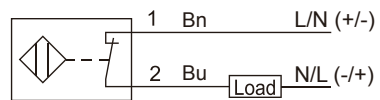
**WD4 AC 2-wire NC**



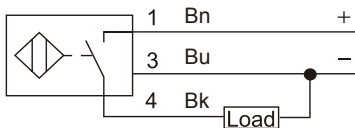
**WD5 AC / DC 2-wire NO**



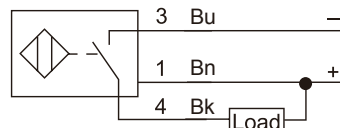
**WD6 AC / DC 2-wire NC**



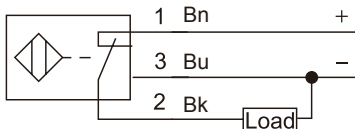
**WD7 DC 3-wire PNP NO**



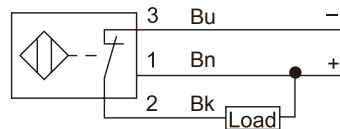
**WD8 DC 3-wire NPN NO**



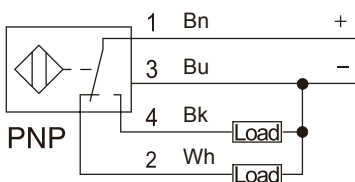
**WD9 DC 3-wire PNP NC**



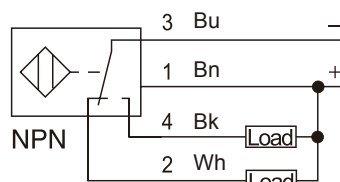
**WD10 DC 3-wire NPN NC**



**WD11 DC 4-wire PNP NO + NC**



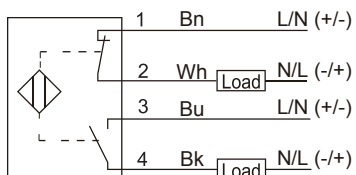
**WD12 DC 4-wire NPN NO + NC**



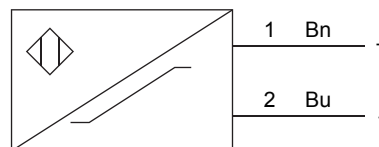
C40 NAMUR SERIES

WIRING DIAGRAMS (Note: 1 / 2 / 3 / 4 connector and terminals pin number Bn / Bu / Wh / Bk cable color)

**WD13 AC/DC 4-wire NO+NC**



**WD14 NAMUR 2-wire NC**



**WD15 DC 4-wire 0-10V+0-20mA**

