


OSMT60 SERIES

ARTICLE PROPERTIES

SENSOR TYPE	Deviation correction sensor	CONNECTION TYPES (see table)
SIZE	21x 61 x 9.6 mm	<ul style="list-style-type: none"> M8 connector A-coded
OPERATING DISTANCE	See table	
DETECTION MODE	Deviation correction ranging (detection head)	

** Other cable lengths are available on request

TECHNICAL DATA

OPERATING VOLTAGE	12 ... 24V DC	CURRENT CONSUMPTION	Emitter: ≤ 20 mA Receiver: ≤ 80 mA (12 V DC)
RIPPLE VOLTAGE	≤ 10 %	HOUSING MATERIAL	Housing: Aluminium alloy Front screen: Glass
LIGHT SOURCE	Red laser (655 nm) / class 1	VOLTAGE WITHSTANDING	650 V/AC, 50/60 Hz, 60 s
LIGHT SPOT SIZE	3 x 14 mm	REVERSE POLARITY PROTECTION	Yes
REPEATABILITY	±5 µm	OVERLOAD RESISTANCE	Yes
MEASURING RANG	10 mm	SHORT CIRCUIT PROTECTION	Yes
RESPONSE TIME	500 µs	<ul style="list-style-type: none"> MTTF 	56 years

ENVIRONMENTAL CONDITIONS

OPERATING ENVIRONMENT HUMIDITY	35 % to 85 % RH (no condensation)	INSULATION IMPEDENCE	≥ 20 MΩ (500 V DC)
PROTECTION CLASS	IP67	SHOCK RESISTANCE (EN 60068-2-27)	500 m/s ² (50 G) 3 times X, Y, Z respectively
STORAGE TEMPERATURE	-20 ... +60 °C	IMPACT RESISTANCE (EN 60068-2-6)	Complex amplitude 1.5 mm 10 ... 50 Hz (2hr X, Y, Z respectively)
AMBIENT TEMPERATURE	-10 ... +50 °C	ANTI-AMBIENT LIGHT	≤ 3000 Lux

STANDARDS AND DIRECTIVES

EMC DIRECTIVE 2014/30/EU	EN IEC 60947-5-2
ROHS DIRECTIVE 2011/65/EU	EN IEC 63000

APPROVALS



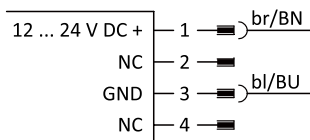
OSMT60 SERIES

DETECTION MODE DEVIATION CORRECTION RANGING

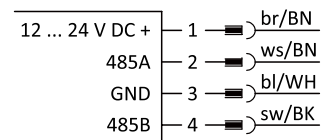
Article number		Operating distance	Light source	Output (wiring diagram)	Resoluton	Connection	Dimensions
OSMT60-T300 (emitter + receiver)	OSMT60-S3006-0.3-Q8 (emitter)	300 mm	Red laser	None (WD1)	1 um	0.3 m cable+ M8 connector	see Fig. 1
	OSMT60-E3006-0.3-Q8 (receiver)	300 mm	Red laser	RS-485 (WD2)	1 um	0.3 m cable+ M8 connector	see Fig. 1

WIRING DIAGRAMS

WD1

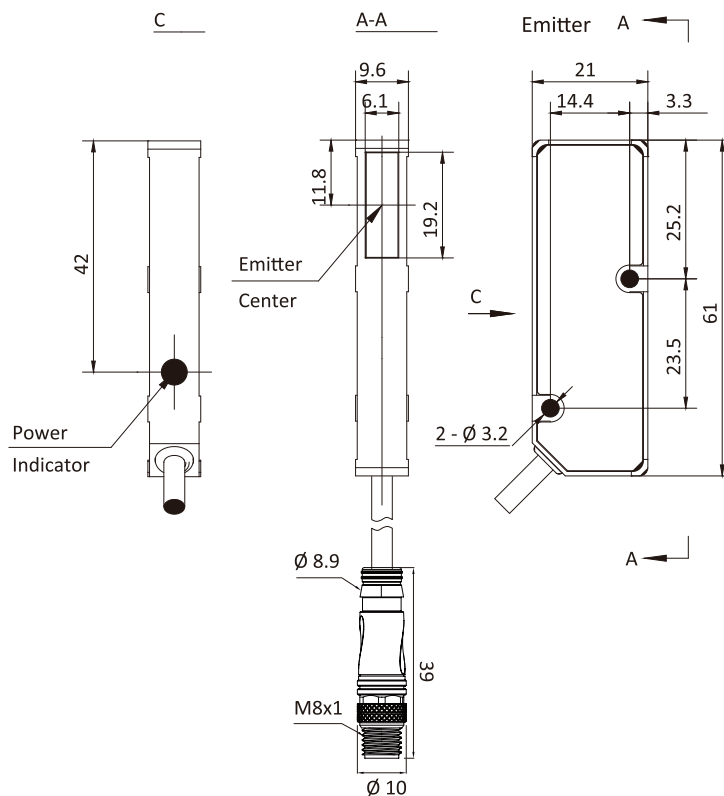


WD2



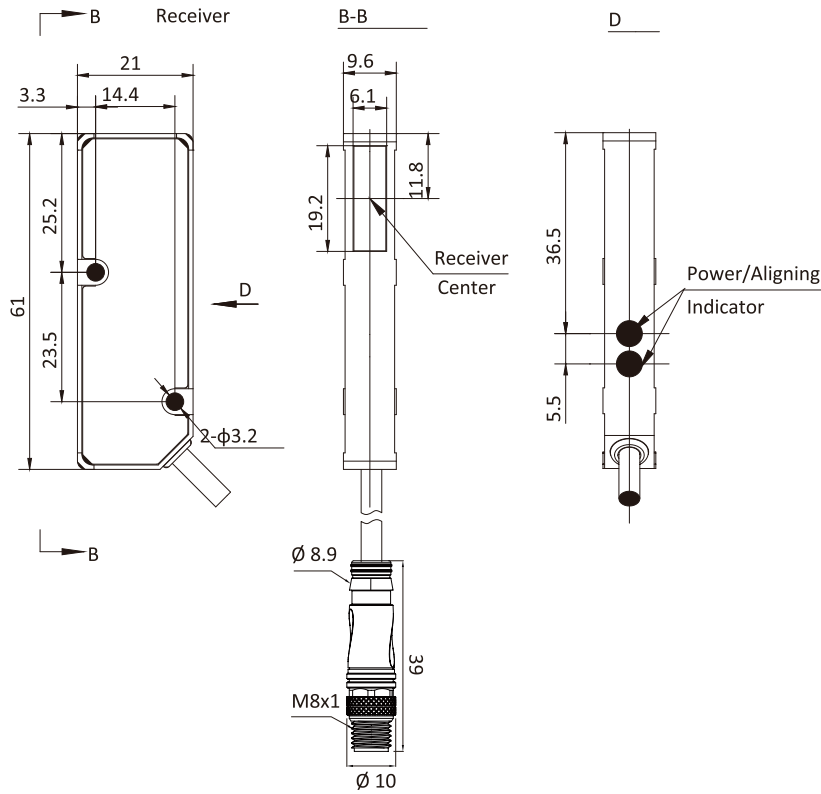
DIMENSIONS (mm)

Fig. 1 Connector



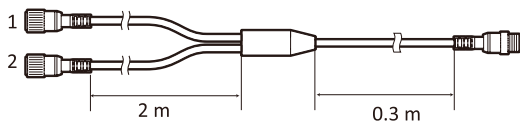
OSMT60 SERIES

DIMENSIONS (mm)

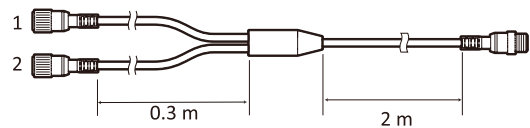


INSTALL ACCESSORIES (OPTIONAL)

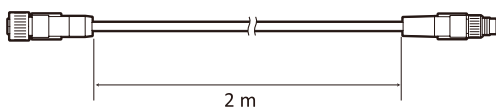
ECS-C8.4-0.3-2CO8.4-2/2/P44



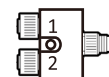
ECS-C8.4-2-2CO8.4-0.3/0.3/P44



CO8.4-2-C8.4



ECS-ECO8.4/P44



OSMT60 SERIES

SALES AND SERVICE

Tianjin Elco Automation Co., Ltd

No. 12, 4th XEDA Branch Road
Xiqing Economic-Technological Development Area
Tianjin 300385, P.R. China
Office Phone: 022 23788282
E-Mail: info@elco.cn
www.elco-holding.com.cn

Elco Industrie Automation GmbH

Benzstrasse 7
71720 Oberstenfeld,
Deutschland
Office Phone: +49 7062 / 6599-260
E-Mail: info@elco-automation.de
www.elco-automation.de

Elco Automation LLC

1097 Highway 101 South, Suite D-3 Greer
South Carolina 29651, USA
Office Phone: +1 864-581-7431
E-Mail: infousa@elcoautomation.com
www.elcoautomation.com

Elco Industrial Automation Pvt Ltd.

No 80, 1st Main, 2nd Cross, Royal Enclave,
Sidedahalli, Nagasandra Bangalore 560073, India
Office Phone: +91-7259931777
E-Mail: info@elcoautomation.in
www.elcoautomation.com

Elco Automation Korea Ltd.

706, 17 Daehak 4-ro, Yeongtong-gu, Suwon-si,
Gyeonggi-do, Republic of Korea, 16226
Office Phone: +82-31-216-7890
E-Mail: sales@elcoautomation.co.kr
www.elcoautomation.com