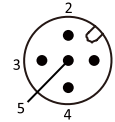


OSM47 SERIES

ARTICLE PROPERTIES

SENSOR TYPE	Color Sensor	CONNECTION TYPES (see table)
SIZE	40.8 x 47 x 25 mm	<ul style="list-style-type: none"> • 2 m cable PVC, 0.2 mm², 2 m** • M12 connector A-coded
OPERATING DISTANCE	See table	
DETECTION MODE	Color detection	



** Other cable lengths are available on request

TECHNICAL DATA

OPERATING VOLTAGE	10 ... 30 V DC	POWER	< 1 .56 W
LIGHT SOURCE	White LED	LOAD CURRENT	≤ 65 mA
LIGHT SPOT SIZE	Ø 3.5 mm @ 100 mm Ø 9 mm @ 25 mm Ø 18 mm @ 500 mm adjustable	HOUSING MATERIAL	Housing: Die -cast zinc Front screen: glass
DIFFERENCE FREQUENCY NUMBER	Frequencies can be set, up to 2	VOLTAGE WITHSTANDING	650 V/AC, 50/60 Hz, 60 s
SWITCH OUTPUT	PNP / NPN	REVERSE POLARITY PROTECTION	Yes
COMMUNICATION TYPE	IO-Link	OVERLOAD RESISTANCE	Yes
RESPONSE TIME	200 us / 1 ms / 10 ms / 500 ms	SHORT CIRCUIT PROTECTION	Yes
SWITCHING MODE	L.O / D.O	MTTF	37 years

ENVIRONMENTAL CONDITIONS

OPERATING ENVIRONMENT HUMIDITY	35 % to 85 % RH (no condensation)	INSULATION IMPEDENCE	≥ 20 MΩ (500 V DC)
PROTECTION CLASS	IP67	SHOCK RESISTANCE (EN 60068-2-27)	500 m/s ² (50 G) 3 times X, Y, Z respectively
STORAGE TEMPERATURE	-40 ... +70°C	IMPACT RESISTANCE (EN 60068-2-6)	Complex amplitude 1.5 mm 10 ... 50 Hz (2hr X, Y, Z respectively)
AMBIENT TEMPERATURE	-20 ... +50 °C	ANTI-AMBIENT LIGHT	≤ 10000 Lux

STANDARDS AND DIRECTIVES

EMC DIRECTIVE 2014/30/EU	EN IEC 60947-5-2	ROHS DIRECTIVE 2011/65/EU	EN IEC 63000
---------------------------------	------------------	----------------------------------	--------------

APPROVALS



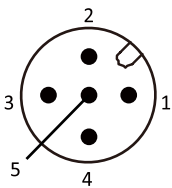
OSM47 SERIES

DETECTION MODE COLOR DETECTION

Article number	Operating distance	Light source	Output (wiring diagram)	Connection	Dimensions
OSM47-CK500C2B6	30 ... 500 mm	White LED	2 × NPN / PNP (WD1)	2 m cable	see Fig. 1
OSM47-CK500C2B6Q12.1	30 ... 500 mm	White LED	2 × NPN / PNP (WD1)	2 m cable	see Fig. 2
OSM47-CK500C2B6/IO	30 ... 500 mm	White LED	2 × NPN / PNP & IO-Link (WD2)	M12 connector	see Fig. 1
OSM47-CK500C2B6Q12.1/IO	30 ... 500 mm	White LED	2 × NPN / PNP & IO-Link (WD2)	M12 connector	see Fig. 2

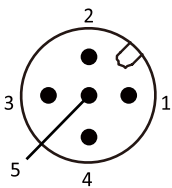
WIRING DIAGRAMS

WD1



Serial number	Function	Core color of cable type	Core color of connector type
1	Power +	BN	BN
2	NPN / PNP1	PK	WH
3	Power -	BU	BU
4	NPN / PNP2	BK	BK
5	External input Settings	GY	GY

WD2

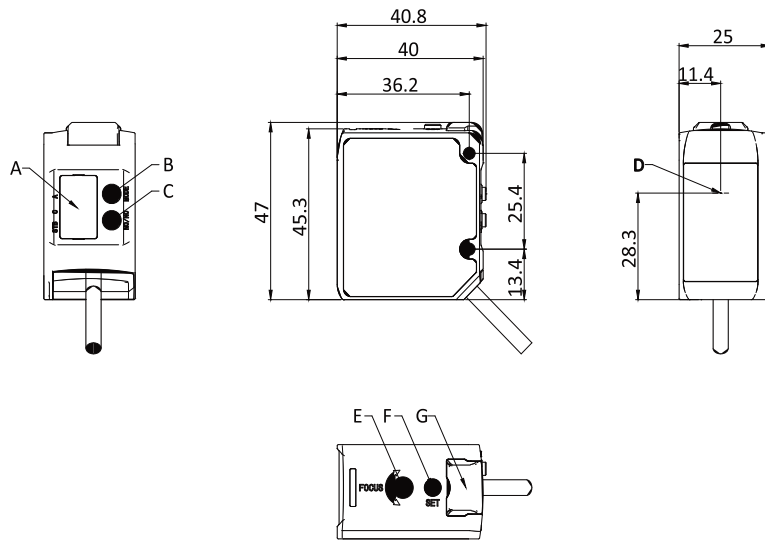


Serial number	Function	Core color of cable type	Core color of connector type
1	Power +	BN	BN
2	NPN / PNP1	PK	WH
3	Power -	BU	BU
4	IO-Link	BK	BK
5	External input Settings	GY	GY

OSM47 SERIES

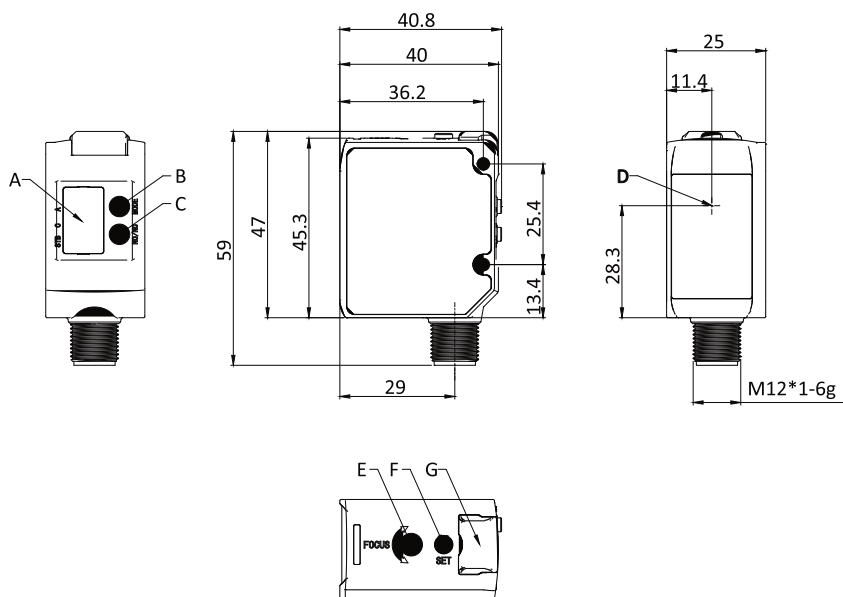
DIMENSIONS

Fig. 1 Cable



- A: LED display
- B: Function setting button
- C: Function adjustment button
- D: Emitting
- E: Adjuste knob
- F: Teaching button
- G: Indicator LED

Fig. 2 Connector



- A: LED display
- B: Function setting button
- C: Function adjustment button
- D: Emitting
- E: Adjuste knob
- F: Teaching button
- G: Indicator LED

OSM47 SERIES

SALES AND SERVICE

Tianjin Elco Automation Co., Ltd

No. 12, 4th XEDA Branch Road
Xiqing Economic-Technological Development Area
Tianjin 300385, P.R. China
Office Phone: 022 23788282
E-Mail: info@elco.cn
www.elcoautomation.com.cn

Elco Industrie Automation GmbH

Benzstrasse 7
71720 Oberstenfeld,
Deutschland
Office Phone: +49 7062 / 6599-260
E-Mail: info@elco-automation.de
www.elco-automation.de

Elco Automation LLC

1097 Highway 101 South, Suite D-3 Greer
South Carolina 29651, USA
Office Phone: +1 864-581-7431
E-Mail: infousa@elcoautomation.com
www.elcoautomation.com

Elco Industrial Automation Pvt Ltd.

No 80, 1st Main, 2nd Cross, Royal Enclave,
Sidedahalli, Nagasandra Bangalore 560073, India
Office Phone: +91-7259931777
E-Mail: info@elcoautomation.in
www.elcoautomation.com

Elco Automation Korea Ltd.

706, 17 Daehak 4-ro, Yeongtong-gu, Suwon-si,
Gyeonggi-do, Republic of Korea, 16226
Office Phone: +82-31-216-7890
E-Mail: sales@elcoautomation.co.kr
www.elcoautomation.com