


OSC1 SERIES

ARTICLE PROPERTIES

<b>SENSOR TYPE</b>	Deviation correction sensor	<b>CONNECTION TYPES</b> (see table)	
<b>SIZE</b>	34 x 81.3 x 33.7 mm	• Cable	PVC, 0.2 mm <sup>2</sup> , 2 m**
<b>OPERATING DISTANCE</b>	See table	• M8 connector	
<b>DETECTION MODE</b>	Deviation correction ranging (controller)	A-coded	

\*\* Other cable lengths are available on request

TECHNICAL DATA

<b>OPERATING VOLTAGE</b>	12 ... 24 V DC	<b>SENSOR CONNECTION</b>	Max. 2
<b>RIPPLE VOLTAGE</b>	≤ 10 %	<b>HOUSING MATERIAL</b>	PC
<b>CURRENT CONSUMPTION</b>	≤ 200 mA (12 V DC)	<b>VOLTAGE WITHSTANDING</b>	650 V/AC, 50/60 Hz, 60 s
<b>DISPLAY FEATURES</b>	OLED display (Chinese and English)	<b>REVERSE POLARITY PROTECTION</b>	Yes
<b>SWITCH OUTPUT</b>	2 × NPN / PNP	<b>OVERLOAD RESISTANCE</b>	Yes
<b>LOAD CURRENT</b>	≤ 100 mA @ DC 24 V	<b>SHORT CIRCUIT PROTECTION</b>	Yes
<b>COMMUNICATION TYPE</b>	4 ... 20 mA or 0 ... 10 V	• MTTF	106 years

ENVIRONMENTAL CONDITIONS

<b>OPERATING ENVIRONMENT HUMIDITY</b>	35 % to 85 % RH (no condensation)	<b>INSULATION IMPEDENCE</b>	≥ 20 MΩ (500 V DC)
<b>PROTECTION CLASS</b>	IP50	<b>SHOCK RESISTANCE (EN 60068-2-27)</b>	500 m/s <sup>2</sup> (50 G) 3 times X, Y, Z respectively
<b>STORAGE TEMPERATURE</b>	-20 ... +60 °C	<b>IMPACT RESISTANCE (EN 60068-2-6)</b>	Complex amplitude 1.5 mm 10 ... 50 Hz (2hr X, Y, Z respectively)
<b>AMBIENT TEMPERATURE</b>	-10 ... +50 °C		

STANDARDS AND DIRECTIVES

<b>EMC DIRECTIVE 2014/30/EU</b>	EN IEC 60947-5-2
<b>ROHS DIRECTIVE 2011/65/EU</b>	EN IEC 63000

APPROVALS



OSC1 SERIES

**DETECTION MODE DEVIATION CORRECTION RANGING**

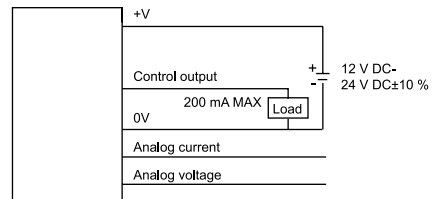
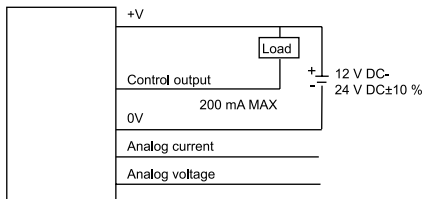
Article number	Sensor head communication	Output (wiring diagram)	Resoluton	Sensor head connection mode	Connection	Dimensions
OSC1-TC2BLIU6-Q8	RS-485	NPN / PNP + RS-485 (WD1)	1 um	M8 connector	2 m cable	see Fig. 1

WIRING DIAGRAMS

**WD1**

NPN

PNP

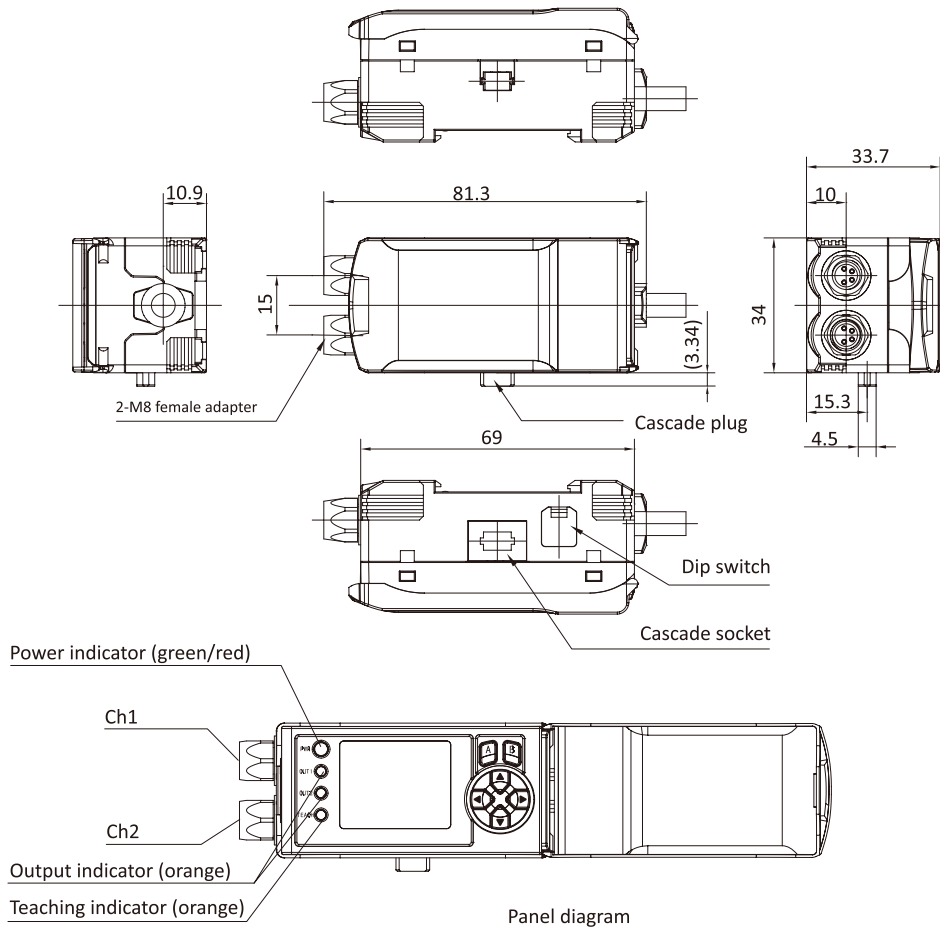


Number	Colour	Function
1	BN	V+ 12 ... 24 V DC
2	BU	GND
3	YE	NPN / PNP 1
4	WH	NPN / PNP 2
5	PK	Analog current
6	GN	Analog voltage

OSC1 SERIES

DIMENSIONS (mm)

Fig. 1 Connector



## OSC1 SERIES

---

### SALES AND SERVICE

**Tianjin Elco Automation Co., Ltd**

No. 12, 4th XEDA Branch Road  
Xiqing Economic-Technological Development Area  
Tianjin 300385, P.R. China  
Office Phone: 022 23788282  
E-Mail: [info@elco.cn](mailto:info@elco.cn)  
[www.elco-holding.com.cn](http://www.elco-holding.com.cn)

**Elco Industrie Automation GmbH**

Benzstrasse 7  
71720 Oberstenfeld,  
Deutschland  
Office Phone: +49 7062 / 6599-260  
E-Mail: [info@elco-automation.de](mailto:info@elco-automation.de)  
[www.elco-automation.de](http://www.elco-automation.de)

**Elco Automation LLC**

1097 Highway 101 South, Suite D-3 Greer  
South Carolina 29651, USA  
Office Phone: +1 864-581-7431  
E-Mail: [infousa@elcoautomation.com](mailto:infousa@elcoautomation.com)  
[www.elcoautomation.com](http://www.elcoautomation.com)

**Elco Industrial Automation Pvt Ltd.**

No 80, 1<sup>st</sup> Main, 2<sup>nd</sup> Cross, Royal Enclave,  
Sidedahalli, Nagasandra Bangalore 560073, India  
Office Phone: +91-7259931777  
E-Mail: [info@elcoautomation.in](mailto:info@elcoautomation.in)  
[www.elcoautomation.com](http://www.elcoautomation.com)

**Elco Automation Korea Ltd.**

706, 17 Daehak 4-ro, Yeongtong-gu, Suwon-si,  
Gyeonggi-do, Republic of Korea, 16226  
Office Phone: +82-31-216-7890  
E-Mail: [sales@elcoautomation.co.kr](mailto:sales@elcoautomation.co.kr)  
[www.elcoautomation.com](http://www.elcoautomation.com)