


OSC1 SERIES

ARTICLE PROPERTIES

SENSOR TYPE	Deviation correction sensor	CONNECTION TYPES (see table)	
SIZE	34 x 81.3 x 33.7 mm	• Cable	PVC, 0.2 mm ² , 2 m**
OPERATING DISTANCE	See table	• M8 connector	
DETECTION MODE	Deviation correction ranging (controller)	A-coded	

** Other cable lengths are available on request

TECHNICAL DATA

OPERATING VOLTAGE	12 ... 24V DC	CASCADE FEATURES	Max. 8 controller (Compatible with M1-EC6)
RIPPLE VOLTAGE	≤ 10 %	HOUSING MATERIAL	PC
CURRENT CONSUMPTION	≤ 200 mA (12 V DC)	VOLTAGE WITHSTANDING	650 V/AC, 50/60 Hz, 60 s
DISPLAY FEATURES	OLED display (Chinese and English)	REVERSE POLARITY PROTECTION	Yes
SWITCH OUTPUT	2 × NPN / PNP	OVERLOAD RESISTANCE	Yes
LOAD CURRENT	≤ 100 mA @ DC 24 V	SHORT CIRCUIT PROTECTION	Yes
COMMUNICATION TYPE	RS-485	• MTTF	106 years
SENSOR CONNECTION	Max. 2		

ENVIRONMENTAL CONDITIONS

OPERATING ENVIRONMENT HUMIDITY	35 % to 85 % RH (no condensation)	INSULATION IMPEDENCE	≥ 20 MΩ (500 V DC)
PROTECTION CLASS	IP50	SHOCK RESISTANCE (EN 60068-2-27)	500 m/s ² (50 G) 3 times X, Y, Z respectively
STORAGE TEMPERATURE	-20 ... +60 °C	IMPACT RESISTANCE (EN 60068-2-6)	Complex amplitude 1.5 mm 10 ... 50 Hz (2hr X, Y, Z respectively)
AMBIENT TEMPERATURE	-10 ... +50 °C		

STANDARDS AND DIRECTIVES

EMC DIRECTIVE 2014/30/EU	EN IEC 60947-5-2
ROHS DIRECTIVE 2011/65/EU	EN IEC 63000

APPROVALS



OSC1 SERIES

DETECTION MODE DEVIATION CORRECTION RANGING

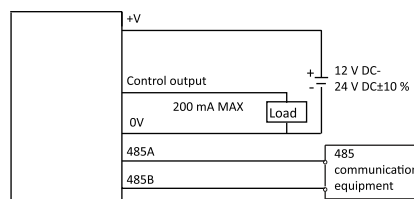
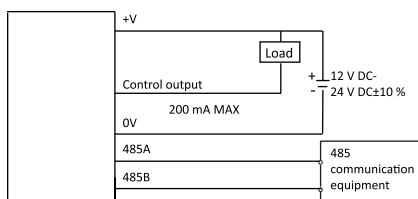
Article number	Sensor head communication	Output (wiring diagram)	Resoluton	Sensor head connection mode	Connection	Dimensions
OSC1-UC2B6-Q8/485 (Cascade)	RS-485	NPN / PNP + RS-485 (WD1)	1 um	M8 connector	2 m cable	see Fig. 1
OSC1-TC2B6-Q8/485 (Non-cascade)	RS-485	NPN / PNP + RS-485 (WD1)	1 um	M8 connector	2 m cable	see Fig. 1

WIRING DIAGRAMS

WD1

NPN

PNP

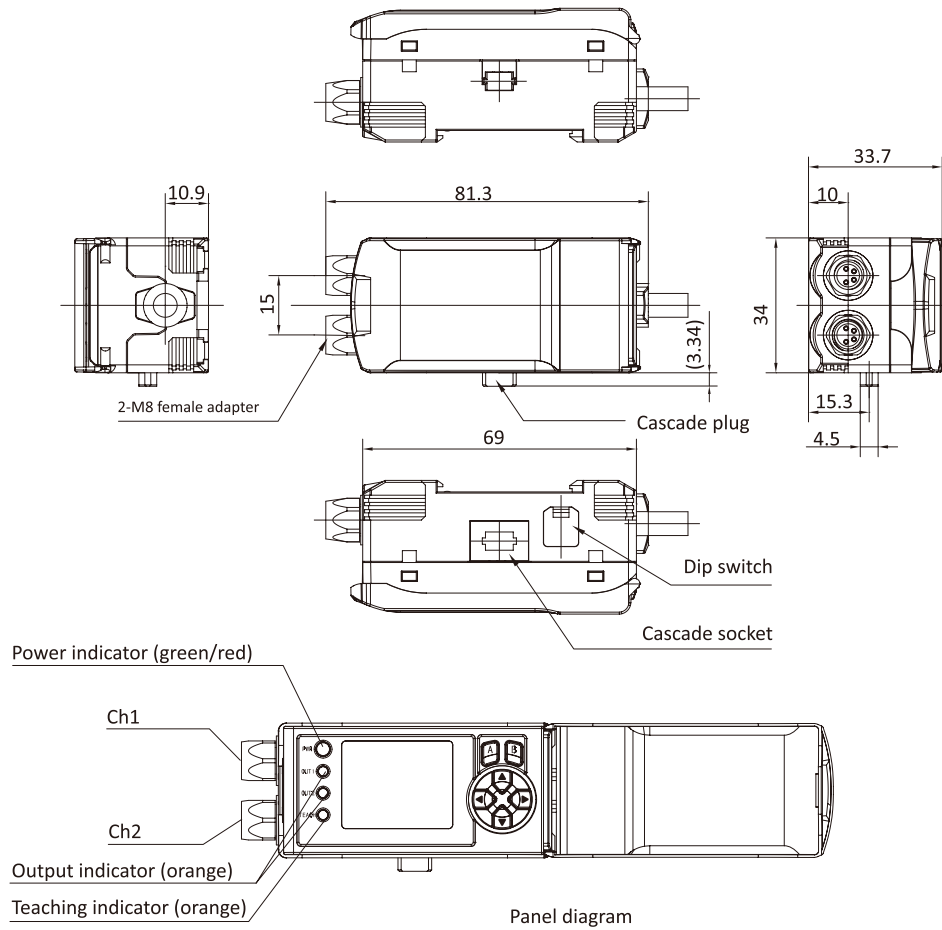


Number	Colour	Function
1	BN	V+ 12 ... 24 V DC
2	BU	GND
3	YE	NPN / PNP 1
4	WH	NPN / PNP 2
5	PK	485A
6	GN	485B

OSC1 SERIES

DIMENSIONS (mm)

Fig. 1 Connector



OSC1 SERIES

SALES AND SERVICE

Tianjin Elco Automation Co., Ltd

No. 12, 4th XEDA Branch Road
Xiqing Economic-Technological Development Area
Tianjin 300385, P.R. China
Office Phone: 022 23788282
E-Mail: info@elco.cn
www.elco-holding.com.cn

Elco Industrie Automation GmbH

Benzstrasse 7
71720 Oberstenfeld,
Deutschland
Office Phone: +49 7062 / 6599-260
E-Mail: info@elco-automation.de
www.elco-automation.de

Elco Automation LLC

1097 Highway 101 South, Suite D-3 Greer
South Carolina 29651, USA
Office Phone: +1 864-581-7431
E-Mail: infousa@elcoautomation.com
www.elcoautomation.com

Elco Industrial Automation Pvt Ltd.

No 80, 1st Main, 2nd Cross, Royal Enclave,
Sidedahalli, Nagasandra Bangalore 560073, India
Office Phone: +91-7259931777
E-Mail: info@elcoautomation.in
www.elcoautomation.com

Elco Automation Korea Ltd.

706, 17 Daehak 4-ro, Yeongtong-gu, Suwon-si,
Gyeonggi-do, Republic of Korea, 16226
Office Phone: +82-31-216-7890
E-Mail: sales@elcoautomation.co.kr
www.elcoautomation.com