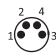
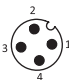


OS10U-TRP SERIES

ARTICLE PROPERTIES

SENSOR TYPE	Photoelectric sensor	CONNECTION TYPES (see table)	
SIZE	See dimensions	• Cable	PVC, 0.14 mm ² , 2 m**
OPERATING DISTANCE	See table	• M8 connector 4-pin, A-coded	
DETECTION MODE	Vitreous body detect polarized retro-reflective	• M12 connector, A-coded	

** Other cable lengths are available on request

TECHNICAL DATA

OPERATING VOLTAGE	10 ... 30 V DC	HOUSING MATERIAL	PC + PBT
LASER CLASS	Blue (460 nm)	VOLTAGE WITHSTANDING	650 V/AC, 50/60 Hz, 60 s
LIGHT SPOT SIZE	≤ 60 mm @2 m	REVERSE POLARITY PROTECTION	Yes
OUTPUT	NPN / PNP	OVERLOAD RESISTANCE	Yes
DISTANCE ADJUSTMENT	Teach button	SHORT CIRCUIT PROTECTION	Yes
REPEATABILITY	≤ 10%Sr	MTTF	109 years
LOAD CURRENT	≤ 200 mA		

ENVIRONMENTAL CONDITIONS

OPERATING ENVIRONMENT HUMIDITY	35 % to 85 % RH (no condensation)	INSULATION IMPEDENCE	≥ 20 MΩ (500 V DC)
PROTECTION CLASS	IP67	SHOCK RESISTANCE (EN 60068-2-27)	500 m/s ² (50 G) 3 times X, Y, Z respectively
STORAGE TEMPERATURE	-30 ... +70 °C	IMPACT RESISTANCE (EN 60068-2-6)	Complex amplitude 1.5 mm 10 ... 50 Hz (2hr X, Y, Z respectively)
AMBIENT TEMPERATURE	-25 ... +55 °C	ANTI-AMBIENT LIGHT	≤ 3000 Lux

STANDARDS AND DIRECTIVES

EMC DIRECTIVE 2014/30/EU	EN IEC 60947-5-2	ROHS DIRECTIVE 2011/65/EU	EN IEC 63000
---------------------------------	------------------	----------------------------------	--------------

APPROVALS



OS10U-TRP SERIES

DETECTION MODE CABLE

(The detection distance corresponds to the reflector RB50*50-1)

Article number	Operating distance	Light source	Frequency	Output (wiring diagram)	Switching mode	Connection	Dimensions
OS10U-TRPCN6	2 m	Blue	1000 Hz	NPN (WD1)	L.O / D.O	2 m cable	see Fig. 1
OS10U-TRPCP6	2 m	Blue	1000 Hz	PNP (WD2)	L.O / D.O	2 m cable	see Fig. 1

DETECTION MODE M8 CONNECTOR

(The detection distance corresponds to the reflector RB50*50-1)

Article number	Operating distance	Light source	Frequency	Output (wiring diagram)	Switching mode	Connection	Dimensions
OS10U-TRPCN6-0.3-Q8	2 m	Blue	1000 Hz	NPN (WD3)	L.O / D.O	0.3 m cable + M8, 4-pin	see Fig. 2
OS10U-TRPCP6-0.3-Q8	2 m	Blue	1000 Hz	PNP (WD4)	L.O / D.O	0.3 m cable + M8, 4-pin	see Fig. 2

DETECTION MODE M12 CONNECTOR

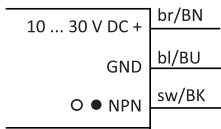
(The detection distance corresponds to the reflector RB50*50-1)

Article number	Operating distance	Light source	Frequency	Output (wiring diagram)	Switching mode	Connection	Dimensions
OS10U-TRPCN6-0.3-Q12	2 m	Blue	1000 Hz	NPN (WD3)	L.O / D.O	0.3 m cable + M12, 4-pin	see Fig. 3
OS10U-TRPCP6-0.3-Q12	2 m	Blue	1000 Hz	PNP (WD4)	L.O / D.O	0.3 m cable + M12, 4-pin	see Fig. 3

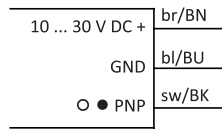
OS10U-TRP SERIES

WIRING DIAGRAMS

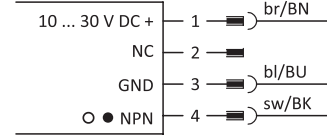
WD1 NPN / Light on | Dark on



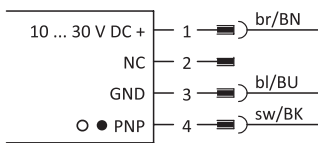
WD2 PNP / Light on | Dark on



WD3 NPN / Light on | Dark on

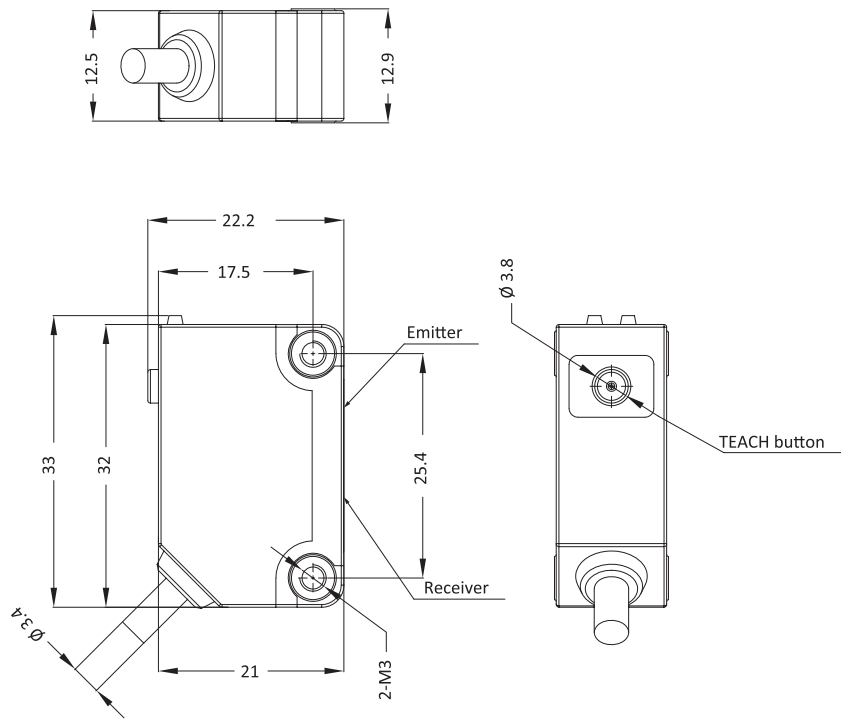


WD4 PNP / Light on | Dark on



DIMENSIONS (mm)

Fig. 1 2 m cable



OS10U-TRP SERIES

DIMENSIONS (mm)

Fig. 2 0.3 m cable + M8 connector

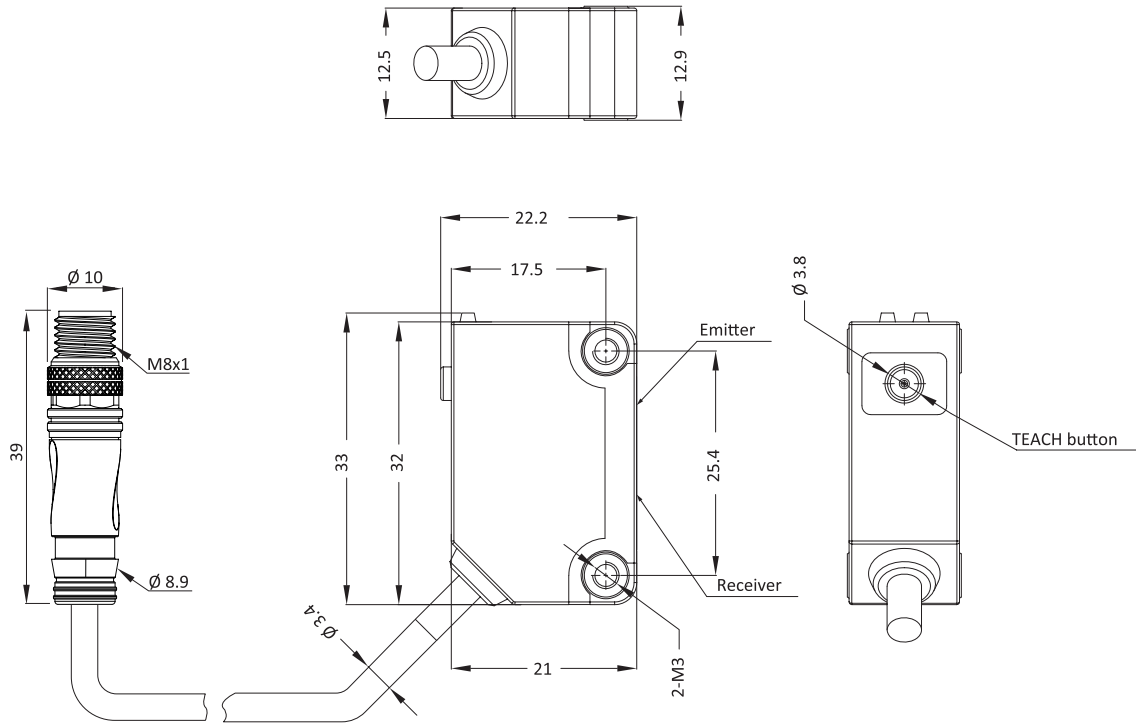
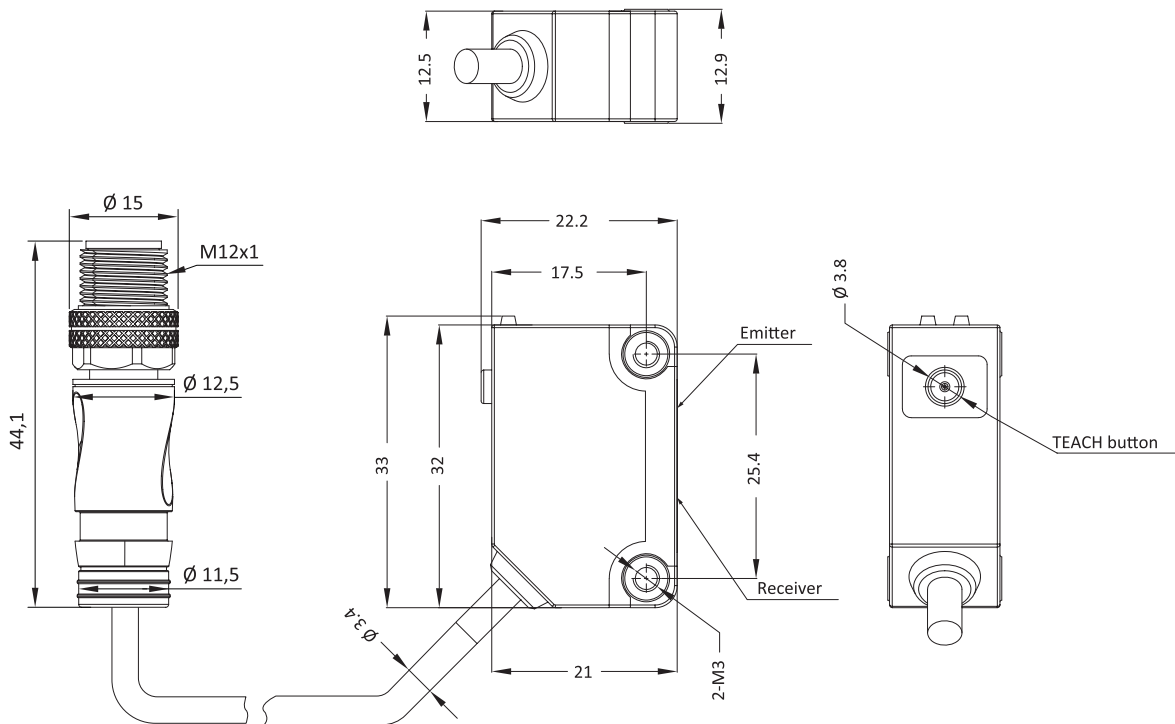


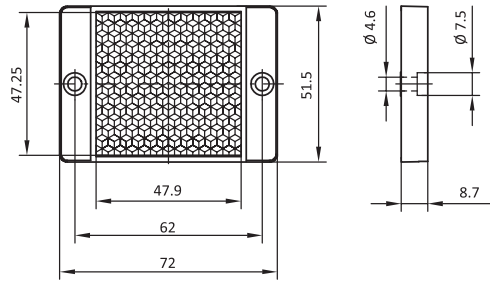
Fig. 3 0.3 m cable + M12 connector



OS10U-TRP SERIES

REFLECTOR (OPTIONAL)

RB50x50-1



OS10U-TRP SERIES

SALES AND SERVICE

Tianjin Elco Automation Co., Ltd

No. 12, 4th XEDA Branch Road
Xiqing Economic-Technological Development Area
Tianjin 300385, P.R. China
Office Phone: 022 23788282
E-Mail: info@elco.cn
www.elco-holding.com.cn

Elco Industrie Automation GmbH

Benzstrasse 7
71720 Oberstenfeld,
Deutschland
Office Phone: +49 7062 / 6599-260
E-Mail: info@elco-automation.de
www.elco-automation.de

Elco Automation LLC

1097 Highway 101 South, Suite D-3 Greer
South Carolina 29651, USA
Office Phone: +1 864-581-7431
E-Mail: infousa@elcoautomation.com
www.elcoautomation.com

Elco Industrial Automation Pvt Ltd.

No 80, 1st Main, 2nd Cross, Royal Enclave,
Sidedahalli, Nagasandra Bangalore 560073, India
Office Phone: +91-7259931777
E-Mail: info@elcoautomation.in
www.elcoautomation.com

Elco Automation Korea Ltd.

706, 17 Daehak 4-ro, Yeongtong-gu, Suwon-si,
Gyeonggi-do, Republic of Korea, 16226
Office Phone: +82-31-216-7890
E-Mail: sales@elcoautomation.co.kr
www.elcoautomation.com