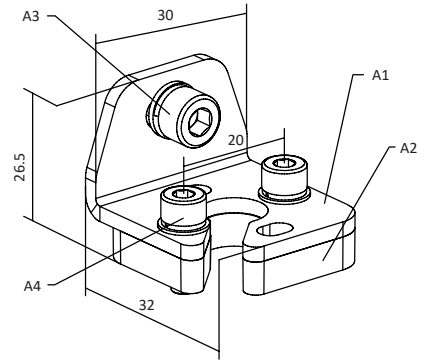


BT-VCS SERIES

MOUNTING BRACKET

Front and side mounting brackets, each pair of safety light curtains with four mounting brackets (BT-VC).
BT-VCS, 1 set, contains 4 pieces BT-VC.



ACCESSORIES DETAIL LIST

Part Number	Part Name	Material
A1	Front and Side Mounting Bracket	Stainless Steel
A2	Front and Side Mounting Vibration Damping Pad	TPU
A3	Hex Socket Screw (M5*12)	Stainless Steel
A4	Hex Socket Screw (M4*12)	Stainless Steel

BT-VCS SERIES

SALES AND SERVICE

Tianjin Elco Automation Co., Ltd

No. 12, 4th XEDA Branch Road
Xiqing Economic-Technological Development Area
Tianjin 300385, P.R. China
Office Phone: 022 23788282
E-Mail: info@elco.cn
www.elco-holding.com.cn

Elco Industrie Automation GmbH

Benzstrasse 7
71720 Oberstenfeld,
Deutschland
Office Phone: +49 7062 / 6599-260
E-Mail: info@elco-automation.de
www.elco-automation.de

Elco Automation LLC

1097 Highway 101 South, Suite D-3 Greer
South Carolina 29651, USA
Office Phone: +1 864-581-7431
E-Mail: infousa@elcoautomation.com
www.elcoautomation.com

Elco Industrial Automation Pvt Ltd.

No 80, 1st Main, 2nd Cross, Royal Enclave,
Sidedahalli, Nagasandra Bangalore 560073, India
Office Phone: +91-7259931777
E-Mail: info@elcoautomation.in
www.elcoautomation.com

Elco Automation Korea Ltd.

706, 17 Daehak 4-ro, Yeongtong-gu, Suwon-si,
Gyeonggi-do, Republic of Korea, 16226
Office Phone: +82-31-216-7890
E-Mail: sales@elcoautomation.co.kr
www.elcoautomation.com