

RF30-WR-C40H

ARTICLE PROPERTIES

PRODUCT TYPE	RS-485 RFID	PROTOCOL	ModbusRTU
DESCRIPTION	RS-485 slave, Support the allocation of device addresses		

ELECTRICAL DATA

SUPPLY VOLTAGE	18 ... 30 V DC	CONNECTION TYPE	M12x1, Male, 4 pin, A-coded
CURRENT CONSUMPTION	Max. 80 mA	POWER CONSUMPTION	Max. 2 W
RF STANDARDS	ISO 15693	OPERATING FREQUENCY	13.56 MHz
ANTENNA TYPE	Integrated antenna	EMITTED POWER	23 dBm
OPERATING DISTANCE	0 - 80 mm (depends on the environment)	DYNAMIC MODELS	Not supported
COMMUNICATION RATES	9600 ... 115200 Baud	DIAGNOSIS	LED indicaton
FUNCTION INDICATOR	<ul style="list-style-type: none"> • Power (PW) Green LED • Communication (LK) Green flickering LED • Tag Present (TAG) Orange LED • Command (RW) Green flickering LED 		

FUNCTIONAL SAFETY

MTTF	416 years
-------------	-----------

GENERAL DATA

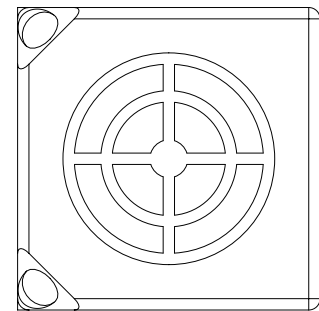
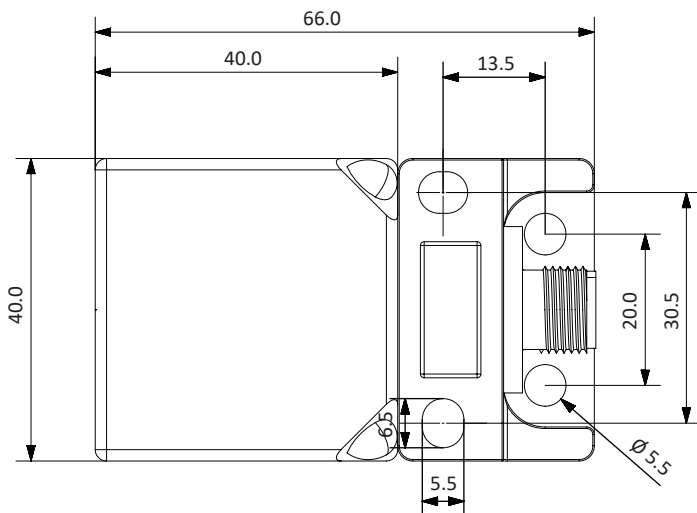
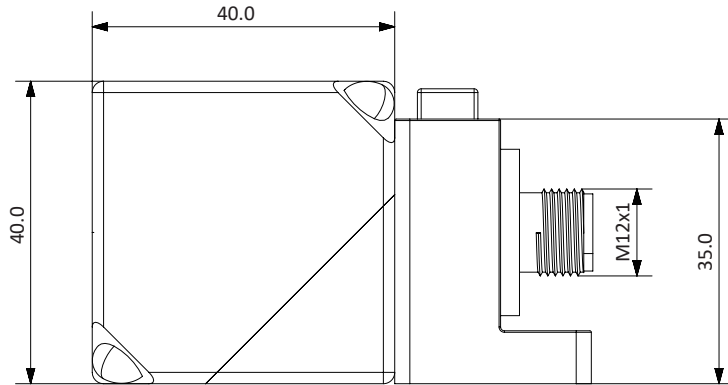
HOUSING MATERIAL	PA66	OPERATING TEMPERATURE	-25 ... +70 °C
PROTECTION	IP67	STORAGE TEMPERATURE	-40 ... +85 °C
INSTALLATION	Metal-free (clear zone)	DIMENSIONS	40 × 40 × 66 mm
WEIGHT	102 g	SHOCK RESISTANCE	IEC 60068-2-27
VIBRATION RESISTANCE	IEC 60068-2-6		

APPROVALS

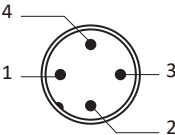


RF30-WR-C40H

DIMENSIONS



CONNECTION DRAWING

M12 A-CODE (MALE)	FUNCTION
	1 - Power supply_24 V+
	2 - A (RS-485)
	3 - Power supply_GND
	4 - B (RS-485)

RF30-WR-C40H

SALES AND SERVICE

Tianjin Elco Automation Co., Ltd

No. 12, 4th XEDA Branch Road
Xiqing Economic-Technological Development Area
Tianjin 300385, P.R. China
Office Phone: 022 23788282
E-Mail: info@elco.cn
www.elco-holding.com.cn

Elco Industrie Automation GmbH

Benzstrasse 7
71720 Oberstenfeld,
Deutschland
Office Phone: +49 7062 / 6599-260
E-Mail: info@elco-automation.de
www.elco-automation.de

Elco Automation LLC

1097 Highway 101 South, Suite D-3 Greer
South Carolina 29651, USA
Office Phone: +1 864-581-7431
E-Mail: infousa@elcoautomation.com
www.elcoautomation.com

Elco Industrial Automation Pvt Ltd.

No 80, 1st Main, 2nd Cross, Royal Enclave,
Sidedahalli, Nagasandra Bangalore 560073, India
Office Phone: +91-7259931777
E-Mail: info@elcoautomation.in
www.elcoautomation.com

Elco Automation Korea Ltd.

706, 17 Daehak 4-ro, Yeongtong-gu, Suwon-si,
Gyeonggi-do, Republic of Korea, 16226
Office Phone: +82-31-216-7890
E-Mail: sales@elcoautomation.co.kr
www.elcoautomation.com