

RF30-WR-C40H/LK

ARTICLE PROPERTIES

PRODUCT TYPE	IO-Link RFID	PROTOCOL	IO-LINK
DESCRIPTION	IO-Link slave, Support for IODD files		

ELECTRICAL DATA

SUPPLY VOLTAGE	18 ... 30 V DC	CONNECTION TYPE	M12x1-Male, 4-pin, A-coded
CURRENT CONSUMPTION	Max. 80 mA	POWER CONSUMPTION	Max. 2 W
RF STANDARDS	ISO 15693	OPERATING FREQUENCY	13.56 MHz
ANTENNA TYPE	Integrated antenna	EMITTED POWER	23 dBm
OPERATING DISTANCE	0 ... 80 mm (depends on the environment)	DYNAMIC MODELS	Supported by the IODD file
IO-LINK TYPE	Class-A	IO-LINK COMMUNICATION RATES	COM3 (230.4 kbps)
IO-LINK VERSION	IO-Link V1.1.3	MIN. CYCLE TIME	24 ms
VENDER ID	1181	DEVICE ID	16453928
PROCESS DATA	32 Byte	DIAGNOSIS	LED indicaton

GENERAL DATA

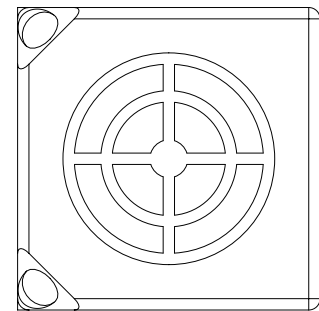
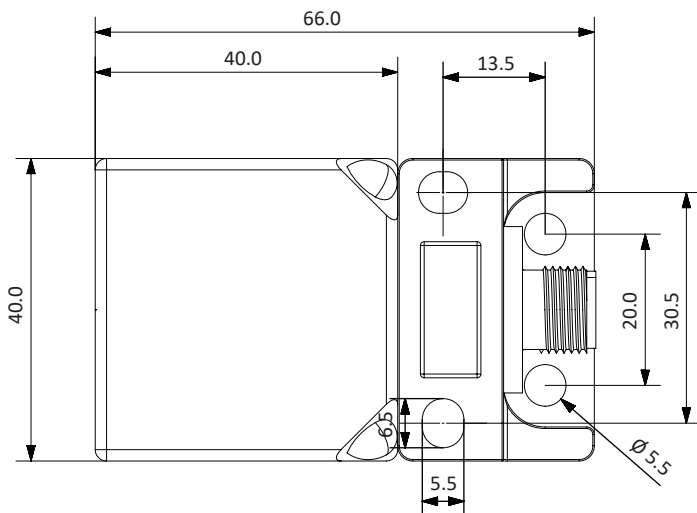
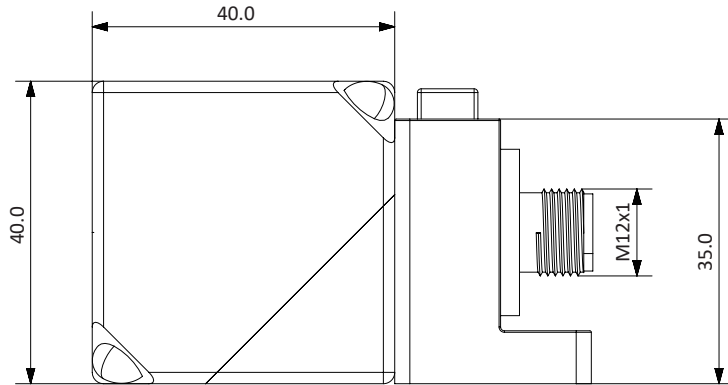
HOUSING MATERIAL	PA66	OPERATING TEMPERATURE	-25 ... +70 °C
PROTECTION	IP67	STORAGE TEMPERATURE	-40 ... +85 °C
INSTALLATION	Metal-free (clear zone)	DIMENSIONS	40 × 40 × 66 mm

APPROVALS



RF30-WR-C40H/LK

DIMENSIONS



CONNECTION DRAWING

CLASS-A PORT (MALE)	FUNCTION
	1 - Power supply_24 V+
	2 - No connection
	3 - Power supply_GND
	4 - IO-Link

RF30-WR-C40H/LK

SALES AND SERVICE

Tianjin Elco Automation Co., Ltd

No. 12, 4th XEDA Branch Road
Xiqing Economic-Technological Development Area
Tianjin 300385, P.R. China
Office Phone: 022 23788282
E-Mail: info@elco.cn
www.elco-holding.com.cn

Elco Industrie Automation GmbH

Benzstrasse 7
71720 Oberstenfeld,
Deutschland
Office Phone: +49 7062 / 6599-260
E-Mail: info@elco-automation.de
www.elco-automation.de

Elco Automation LLC

1097 Highway 101 South, Suite D-3 Greer
South Carolina 29651, USA
Office Phone: +1 864-581-7431
E-Mail: infousa@elcoautomation.com
www.elcoautomation.com

Elco Industrial Automation Pvt Ltd.

No 80, 1st Main, 2nd Cross, Royal Enclave,
Sidedahalli, Nagasandra Bangalore 560073, India
Office Phone: +91-7259931777
E-Mail: info@elcoautomation.in
www.elcoautomation.com

Elco Automation Korea Ltd.

706, 17 Daehak 4-ro, Yeongtong-gu, Suwon-si,
Gyeonggi-do, Republic of Korea, 16226
Office Phone: +82-31-216-7890
E-Mail: sales@elcoautomation.co.kr
www.elcoautomation.com