

RF30-TGH-ER30

ARTICLE PROPERTIES

| | | | |
|---------------------|--|--------------------------|-----------|
| PRODUCT TYPE | High frequency tag | PROTOCOL STANDARD | ISO 15693 |
| DESCRIPTION | Non-anti-metal product, the mounting surface is suitable for non-metallic materials such as plastic, wood and nylon. | | |

ELECTRICAL DATA

| | | | |
|--------------------|--|-------------------------------------|--|
| FREQUENCY | 13.56 MHz | USER DATA | 2528 bit / 316 Byte |
| MEMORY TYPE | EEPROM | NUMBER OF BLOCKS | 80 (76 programmable, 4 non-programmable) |
| BLOCK SIZE | 4 Byte | UID SERIAL NUMBER, READ-ONLY | 8 Byte |
| READ CYCLES | Unlimited | PROGRAMMING CYCLES | ≥ 100,000 |
| READ TIME | User ID for 8 bytes: 0.02 s; for 16 bytes: 0.03 s | PROGRAMMING TIME | For 16 bytes: 0.1 s |

GENERAL DATA

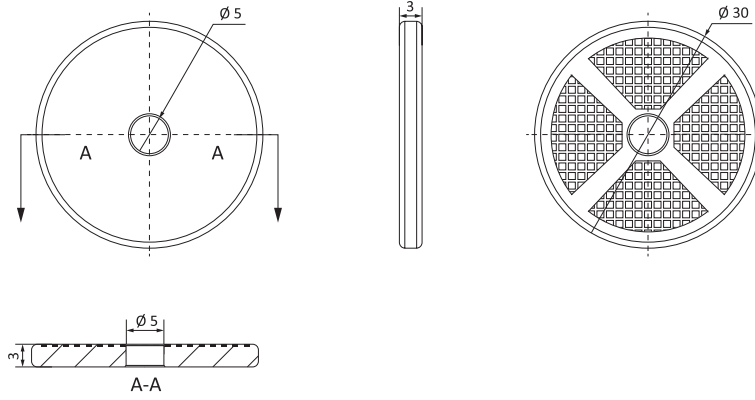
| | | | |
|------------------------------|------------------------------------|----------------------------|-------------------------|
| DIMENSION | ∅ 30 x 3 mm inner diameter 5 mm | INSTALLATION | METAL-FREE (CLEAR ZONE) |
| OPERATING TEMPERATURE | -25 ... +125 °C | STORAGE TEMPERATURE | -40 ... +150 °C |
| PROTECTION | IP68 | HOUSING MATERIAL | PPS |
| WEIGHT | 4 g | | |

APPROVALS



RF30-TGH-ER30

DIMENSIONS



RF30-TGH-ER30

SALES AND SERVICE

Tianjin Elco Automation Co., Ltd

No. 12, 4th XEDA Branch Road
Xiqing Economic-Technological Development Area
Tianjin 300385, P.R. China
Office Phone: 022 23788282
E-Mail: info@elco.cn
www.elco-holding.com.cn

Elco Industrie Automation GmbH

Benzstrasse 7
71720 Oberstenfeld,
Deutschland
Office Phone: +49 7062 / 6599-260
E-Mail: info@elco-automation.de
www.elco-automation.de

Elco Automation LLC

1097 Highway 101 South, Suite D-3 Greer
South Carolina 29651, USA
Office Phone: +1 864-581-7431
E-Mail: infousa@elcoautomation.com
www.elcoautomation.com

Elco Industrial Automation Pvt Ltd.

No 80, 1st Main, 2nd Cross, Royal Enclave,
Sidedahalli, Nagasandra Bangalore 560073, India
Office Phone: +91-7259931777
E-Mail: info@elcoautomation.in
www.elcoautomation.com

Elco Automation Korea Ltd.

706, 17 Daehak 4-ro, Yeongtong-gu, Suwon-si,
Gyeonggi-do, Republic of Korea, 16226
Office Phone: +82-31-216-7890
E-Mail: sales@elcoautomation.co.kr
www.elcoautomation.com