

MVT-C-EC

ARTICLE PROPERTIES

PRODUCT TYPE	Valve terminal bus module	PROTOCOL	EtherCAT
DESCRIPTION	Support the EtherCAT protocol	MATCHING FESTO VALVE TERMINALS	VTUG

ELECTRICAL DATA

SUPPLY VOLTAGE	18 ... 30 V DC	POWER SUPPLY DETECTION	Low voltage alarm
CURRENT CONSUMPTION	Less than 200 mA	SYSTEM DIAGNOSTICS	System failure alarm
SYSTEM MAX. POWER SUPPLY	4 A	MAX. NUMBER OF SOLENOID COILS	48
VALVE MAX. POWER SUPPLY	2 A	MATERIAL DESCRIPTION	RoHS compliance
ELECTRICAL ISOLATION	Yes	LED LIGHT	
FIELDBUS	2*M12, D-CODE, 4 pin, Female	<ul style="list-style-type: none"> • Us 	System power
POWER SUPPLY	M12*1, L-CODE, 5 pin, Male	<ul style="list-style-type: none"> • Ua 	Auxiliary power
TRANSMISSION RATE	100 Mbit/s	<ul style="list-style-type: none"> • Run 	Running status
MAX. ADDRESS VOLUME, INPUTS	7 Byte	<ul style="list-style-type: none"> • ERR 	Module status
MAX. ADDRESS VOLUME, OUTPUTS	6 Byte	<ul style="list-style-type: none"> • LK1 / LK2 	Network port connection status
COMMUNICATION STATUS	Communication failure alarm		

GENERAL DATA

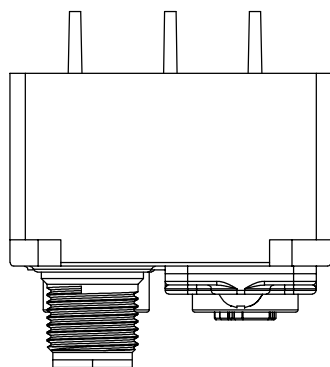
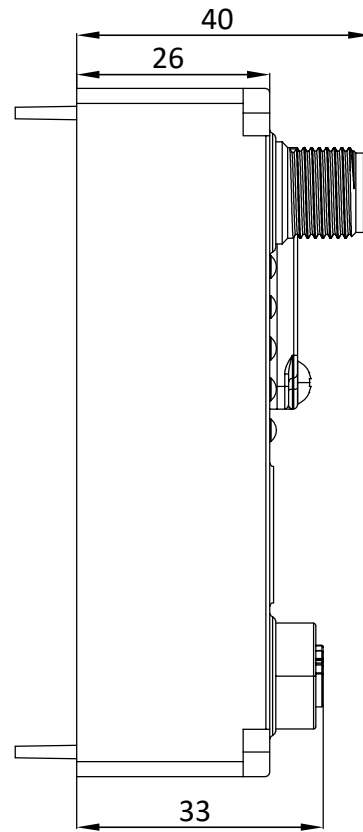
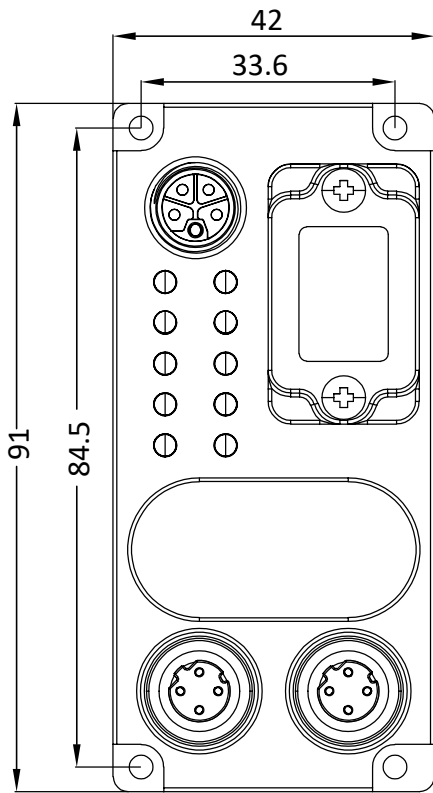
TYPE OF MOUNTING	On electrical interface	OPERATING TEMPERATURE	-5 ... +60 °C
PROTECTION	IP67	STORAGE TEMPERATURE	-20 ... +70 °C
AUTHENTICATION	CE	DIMENSIONS	42 x 91 x 40 mm
PRODUCT WEIGHT	110 g		

APPROVALS



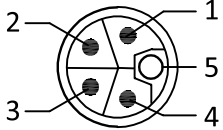
MVT-C-EC

DIMENSIONS

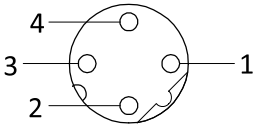


MVT-C-EC

POWER DRAWING

POWER PORT MALE	FUNCTION
	1 - System power Us+
	2 - Auxiliary power Ua-
	3 - System power Us-
	4 - Auxiliary power Ua+
	5 - Protective earthing PE

FIELD BUS DRAWING

BUS PORT FEMALE	FUNCTION
	1 - Transmitting TD+
	2 - Receiver RD+
	3 - Transmitting TD-
	4 - Receiver RD-

MVT-C-EC

SALES AND SERVICE

Tianjin Elco Automation Co., Ltd

No. 12, 4th XEDA Branch Road
Xiqing Economic-Technological Development Area
Tianjin 300385, P.R. China
Office Phone: 022 23788282
E-Mail: info@elco.cn
www.elco-holding.com.cn

Elco Industrie Automation GmbH

Benzstrasse 7
71720 Oberstenfeld,
Deutschland
Office Phone: +49 7062 / 6599-260
E-Mail: info@elco-automation.de
www.elco-automation.de

Elco Automation LLC

1097 Highway 101 South, Suite D-3 Greer
South Carolina 29651, USA
Office Phone: +1 864-581-7431
E-Mail: infousa@elcoautomation.com
www.elcoautomation.com

Elco Industrial Automation Pvt Ltd.

No 80, 1st Main, 2nd Cross, Royal Enclave,
Sidedahalli, Nagasandra Bangalore 560073, India
Office Phone: +91-7259931777
E-Mail: info@elcoautomation.in
www.elcoautomation.com

Elco Automation Korea Ltd.

706, 17 Daehak 4-ro, Yeongtong-gu, Suwon-si,
Gyeonggi-do, Republic of Korea, 16226
Office Phone: +82-31-216-7890
E-Mail: sales@elcoautomation.co.kr
www.elcoautomation.com