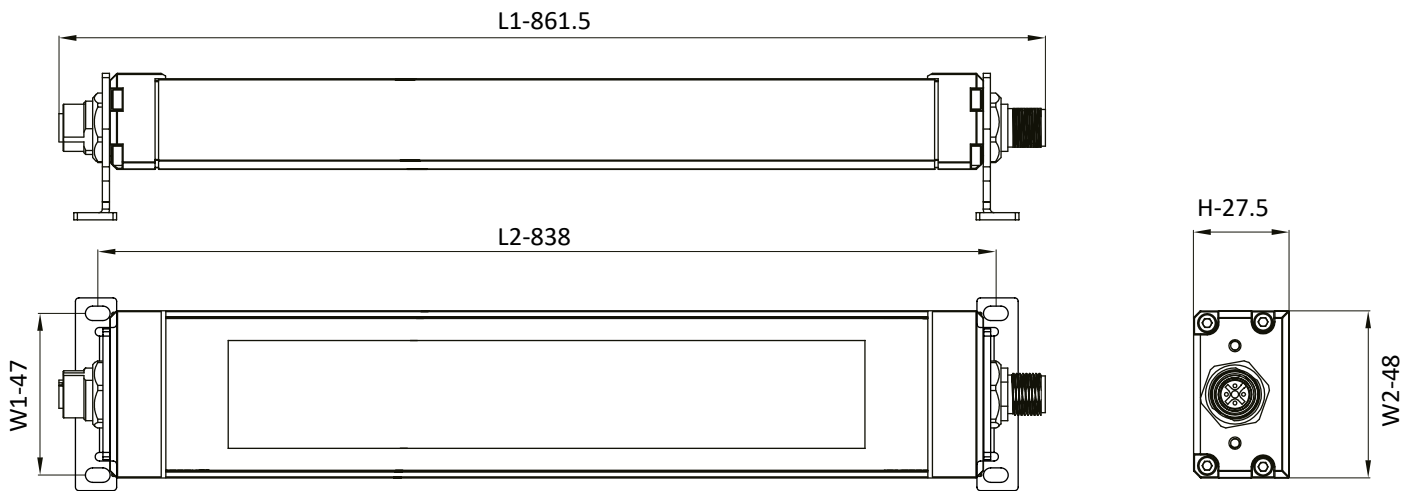


LF48W800-M



OPTICAL DATA

<b>LUMINOUS FLUX</b>	2000 lm	<b>LED SOURCE TYPE</b>	Non-lens
<b>LIGHT COLOUR</b>	5700 K daylight white	<b>LIGHT BODY LENGTH</b>	800 mm
<b>BEAM ANGLE</b>	82°	<b>Ra</b>	> 80

MECHANICAL DATA

<b>LENGTH (L1)</b>	861.5 mm	<b>LENGTH (L2)</b>	838 mm
<b>WIDTH (W1)</b>	47 mm	<b>WIDTH (W2)</b>	48 mm
<b>HEIGHT</b>	27.5 mm		
<b>HOUSING MATERIAL</b>	Aluminium	<b>WINDOW</b>	Frosted glass
<b>VERTICAL ADJUSTING T ANGLE</b>	± 45°	<b>WEIGHT</b>	1.9 kg

ELECTRICAL DATA

<b>POWER</b>	25 W	<b>RATED OPERATIONAL VOLTAGE</b>	24 V DC/AC
<b>CURRENT</b>	1.04 A	<b>OPERATING VOLTAGE</b>	18 ... 30 V DC/AC
<b>LAMPS LIFETIME</b>	> 50000 h	<b>CONNECTION</b>	M12 x 1 4-pin
<b>ELECTRICAL PROTECTION GRADE</b>	III	<b>REVERSE POLARITY PROTECTED</b>	Yes
<b>STAND ALONE / CASCADABLE</b>	Cascadable, qty 2		

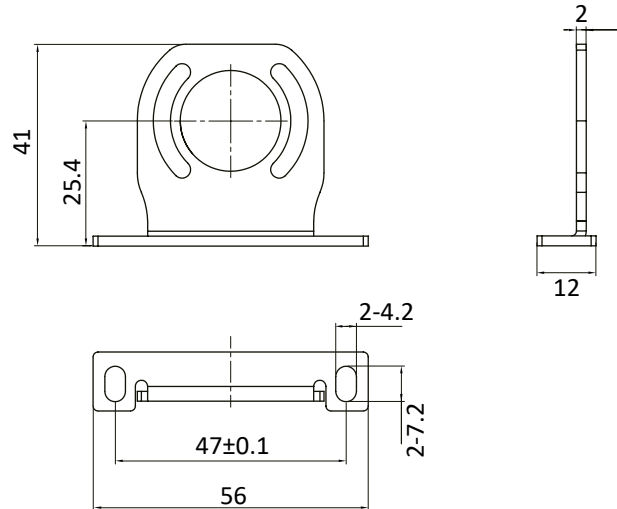
ENVIRONMENTAL CONDITIONS

<b>DEGREE OF PROTECTION</b>	IP67	<b>OPERATING TEMPERATURE</b>	-20 ... +50 °C
-----------------------------	------	------------------------------	----------------

LF48W800-M

MOUNTING BRACKET

Angle adjustable, 304 stainless steel, each lamp with two mounting brackets



pre-moulding connector	pin out	connector model	wiring diagram
		CO12.3-2 CO12.4-2 CO12.3-2-C12.3 (Double ended)	

APPROVALS



## LF48W800-M

---

**SALES AND SERVICE****Tianjin Elco Automation Co., Ltd**

No. 12, 4th XEDA Branch Road  
Xiqing Economic-Technological Development Area  
Tianjin 300385, P.R. China  
Office Phone: 022 23788282  
E-Mail: [info@elco.cn](mailto:info@elco.cn)  
[www.elco-holding.com.cn](http://www.elco-holding.com.cn)

**Elco Industrie Automation GmbH**

Benzstrasse 7  
71720 Oberstenfeld,  
Deutschland  
Office Phone: +49 7062 / 6599-260  
E-Mail: [info@elco-automation.de](mailto:info@elco-automation.de)  
[www.elco-automation.de](http://www.elco-automation.de)

**Elco Automation LLC**

1097 Highway 101 South, Suite D-3 Greer  
South Carolina 29651, USA  
Office Phone: +1 864-581-7431  
E-Mail: [infousa@elcoautomation.com](mailto:infousa@elcoautomation.com)  
[www.elcoautomation.com](http://www.elcoautomation.com)

**Elco Industrial Automation Pvt Ltd.**

No 80, 1<sup>st</sup> Main, 2<sup>nd</sup> Cross, Royal Enclave,  
Sidedahalli, Nagasandra Bangalore 560073, India  
Office Phone: +91-7259931777  
E-Mail: [info@elcoautomation.in](mailto:info@elcoautomation.in)  
[www.elcoautomation.com](http://www.elcoautomation.com)

**Elco Automation Korea Ltd.**

706, 17 Daehak 4-ro, Yeongtong-gu, Suwon-si,  
Gyeonggi-do, Republic of Korea, 16226  
Office Phone: +82-31-216-7890  
E-Mail: [sales@elcoautomation.co.kr](mailto:sales@elcoautomation.co.kr)  
[www.elcoautomation.com](http://www.elcoautomation.com)