

EV58P

ARTICLE PROPERTIES

TYPE	Topydic series hollow shaft incremental encoder
SIZE	Ø 58

TECHNICAL DATA

SHAFT DIAMETER	Ø 8H7 mm / Ø 10H7 mm / Ø 12H7 mm / Ø 14H7 mm / Ø 15H7 mm	STARTING TORQUE	≤ 0.03 N·m
SPEED	6000 rpm	BODY MATERIAL	Aluminum
BEARING LIFE	10 ⁹ revolution	HOUSING MATERIAL	Aluminum
MOMENT OF INERTIA	6 x 10 ⁻⁶ kgm ²	WEIGHT	400 g

ENVIRONMENTAL CONDITIONS

PROTECTION CLASS	IP65	OPERATING TEMPERATURE	-20 ... +80 °C
MAX LOAD CAPACITY OF THE SHAFT	40 N axial, 80 N radial	STORAGE TEMPERATURE	-40 ... +95 °C
SHOCK RESISTANCE (EN 60068-2-27)	50 g, 11 ms	RELATIVE HUMIDITY / CONDENSATION	90%, condensation not permitted
VIBRATION RESISTANCE (EN 60068-2-6)	10 g, 10 ... 2000 Hz		

Regular resolution: 256, 300, 360, 400, 500, 512, 600, 800, 1000, 1024, 1200, 1250, 2000, 2048, 2500, 3600, 4096, 5000.
Attention: the products with above resolutions are available from stock, others on request.

ELECTRICAL PARAMETERS

OUTPUT CIRCUIT	RS422	PUSH-PULL
SUPPLY VOLTAGE	5±0.25 or 10 ... 30 V DC	10 ... 30 V DC
POWER CONSUMPTION (NO LOAD)	Typ. 40 mA, max. 90 mA	Typ. 50 mA, max. 100 mA
PERMISSIBLE LOAD (CHANNEL)	Max. ±20 mA	Max. ±30 mA
PULSE FREQUENCY	Max. 300 kHz	Max. 300 kHz
SIGNAL LEVEL HIGH	Min. 2.5 V	Min. U _b -1 V
SIGNAL LEVEL LOW	Max. 0.5 V	Max. 0.5 V
RISE TIME TR	Max. 200 ns	Max. 1 µs
FALL TIME TF	Max. 200 ns	Max. 1 µs

STANDARDS AND DIRECTIVES

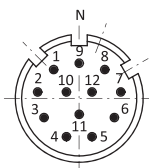
LOW-VOLTAGE SWITCHGEAR AND CONTROLGEAR	EN IEC 61000-6-2 EN IEC 61000-6-4
---	--------------------------------------

EV58P

APPROVALS



TERMINAL ASSIGNMENT

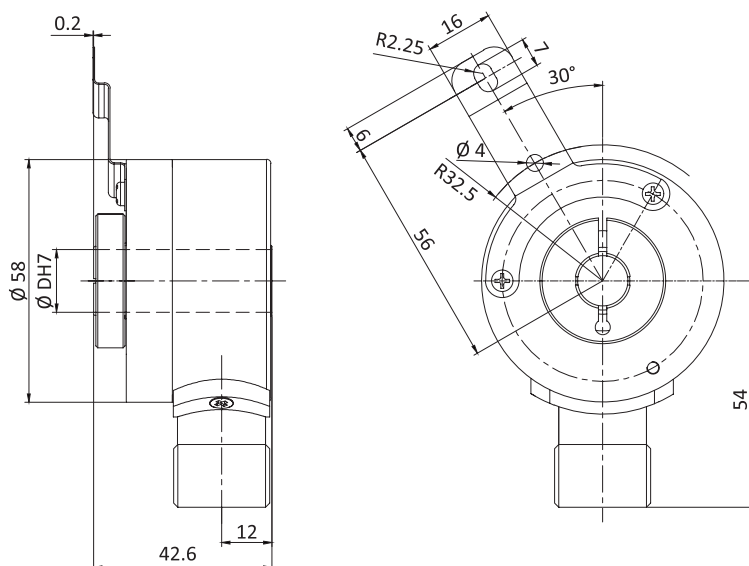


M23 12pin layout (Male)

Signal	0 V	+U _B	A	\bar{A}	B	\bar{B}	Z	\bar{Z}	Shield
Color	WH	BN	GN	YE	GY	PK	BU	RD	$\frac{1}{2}$
Pin	10	12	5	6	8	1	3	4	PH

DIMENSIONS (mm)

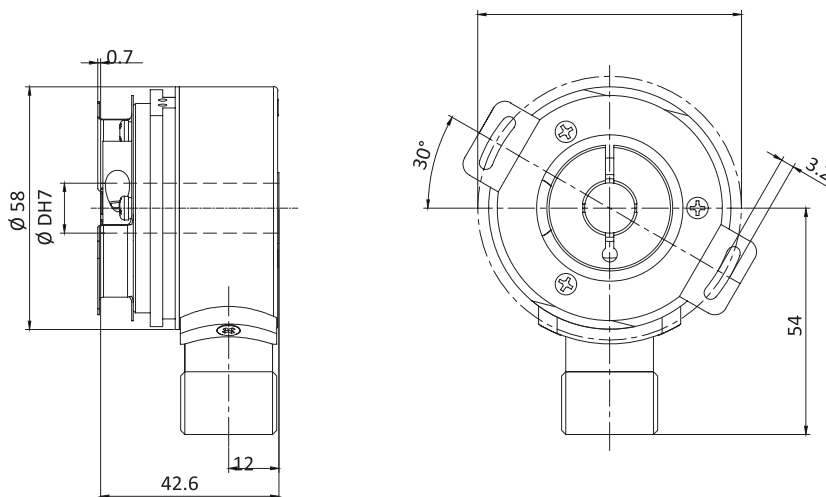
EV58P M23



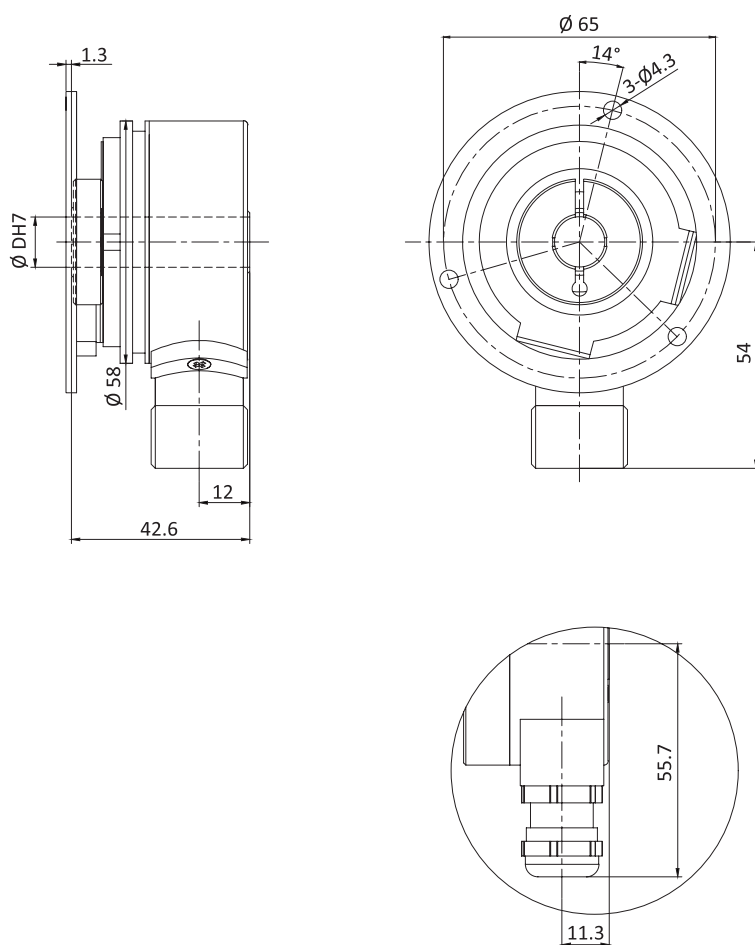
EV58P

DIMENSIONS (mm)

EV58W M23

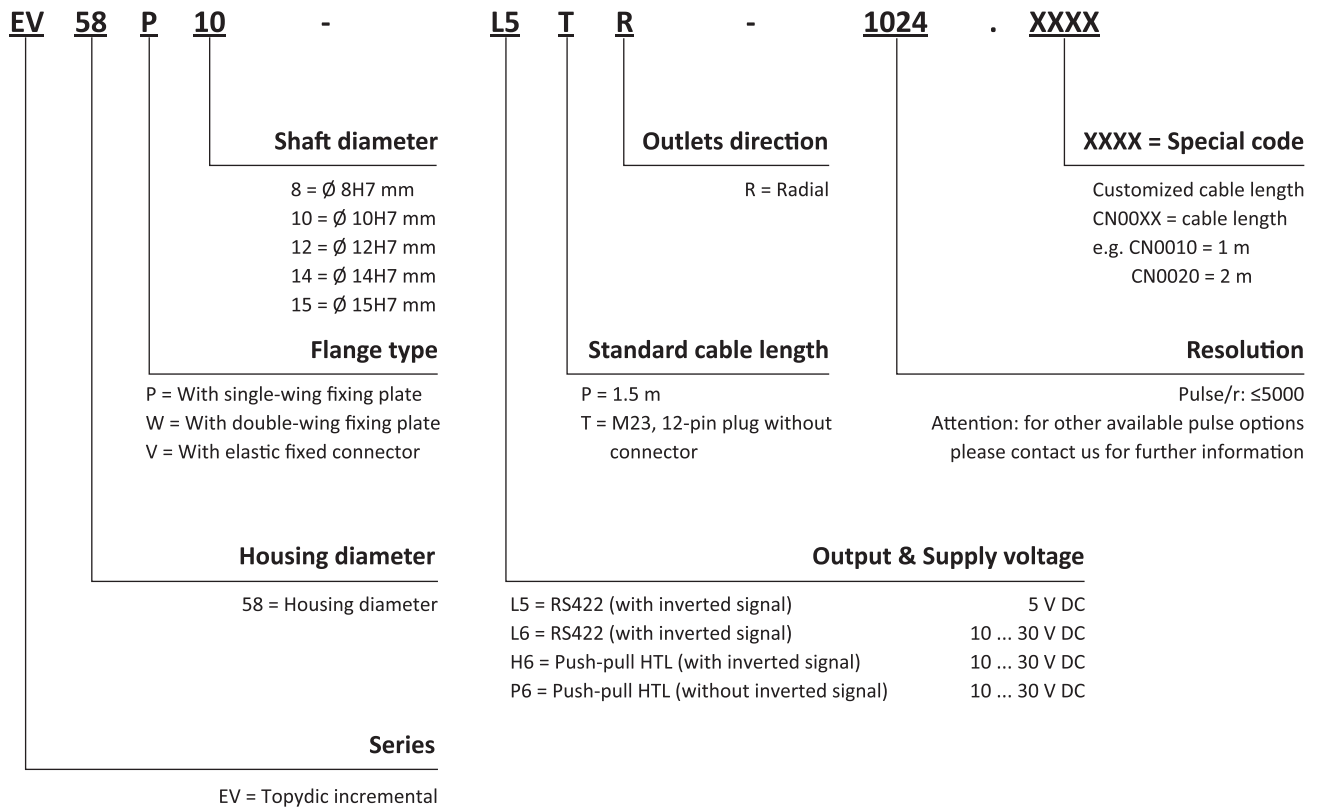


EV58V M23



EV58P

ORDER CODE



When the voltage supply within the limited range and only one signal channel is connected improperly at certain moment:
 If $U_b = 5\text{ V}$, it's permitted to connect to signal channels, 0V or U_b ;
 If $U_b > 5\text{ V}$, it's permitted to connect to signal channels or 0V.

Matched connector: For connection type "T": TMSP1612F

EV58P**SALES AND SERVICE****Tianjin Elco Automation Co., Ltd**

No. 12, 4th XEDA Branch Road
Xiqing Economic-Technological Development Area
Tianjin 300385, P.R. China
Office Phone: 022 23788282
E-Mail: info@elco.cn
www.elco-holding.com.cn

Elco Industrie Automation GmbH

Benzstrasse 7
71720 Oberstenfeld,
Deutschland
Office Phone: +49 7062 / 6599-260
E-Mail: info@elco-automation.de
www.elco-automation.de

Elco Automation LLC

1097 Highway 101 South, Suite D-3 Greer
South Carolina 29651, USA
Office Phone: +1 864-581-7431
E-Mail: infousa@elcoautomation.com
www.elcoautomation.com

Elco Industrial Automation Pvt Ltd.

No 80, 1st Main, 2nd Cross, Royal Enclave,
Sidedahalli, Nagasandra Bangalore 560073, India
Office Phone: +91-7259931777
E-Mail: info@elcoautomation.in
www.elcoautomation.com

Elco Automation Korea Ltd.

706, 17 Daehak 4-ro, Yeongtong-gu, Suwon-si,
Gyeonggi-do, Republic of Korea, 16226
Office Phone: +82-31-216-7890
E-Mail: sales@elcoautomation.co.kr
www.elcoautomation.com