

EV40A

ARTICLE PROPERTIES

TYPE	Topydic small shaft incremental encoder
SIZE	∅ 40

TECHNICAL DATA

SHAFT DIAMETER	∅ 6g6 mm	STARTING TORQUE	< 0.08 N·m
SPEED	6000 rpm	BODY MATERIAL	Aluminum
BEARING LIFE	10 ⁹ revolution	HOUSING MATERIAL	Zinc alloy
MOMENT OF INERTIA	1.9 x 10 ⁻⁶ kgm ²	WEIGHT	110 g

ENVIRONMENTAL CONDITIONS

PROTECTION CLASS	IP66 standard IP67 optional	OPERATING TEMPERATURE	-20 ... +85 °C
MAX LOAD CAPACITY OF THE SHAFT	60 N axial, 100 N radial	STORAGE TEMPERATURE	-25 ... +100 °C
SHOCK RESISTANCE (EN 60068-2-27)	50 g, 11 ms	RELATIVE HUMIDITY / CONDENSATION	90%, condensation not permitted
VIBRATION RESISTANCE (EN 60068-2-6)	10 g, 10 ... 2000 Hz		

Regular resolution: 10, 20, 30, 40, 50, 60, 70, 80, 90, 100, 200, 300, 360, 400, 500, 512, 600, 800, 1000, 1024, 2000, 4000, 2500, 5000, 2048

Attention: the products with above resolutions are available from stock, others on request.

ELECTRICAL PARAMETERS

OUTPUT CIRCUIT	RS422	PUSH-PULL	NPN OC
RESOLUTION	Max. 5000 ppr	Max. 5000 ppr	Max. 2500 ppr
SUPPLY VOLTAGE	5±0.25 or 10 ... 30 V DC	10 ... 30 V DC	10 ... 30 V DC
POWER CONSUMPTION (NO LOAD)	≤80 mA	≤100 mA	≤ 80 mA
PERMISSIBLE LOAD (CHANNEL)	±50 mA	±30 mA	±50 mA
PULSE FREQUENCY	Max. 800 kHz	Max. 800 kHz	Max. 300 kHz
SIGNAL LEVEL HIGH	Min. 3.4 V	Min. Ub-1.8 V	Min. Ub*70% ^{*)}
SIGNAL LEVEL LOW	Max. 0.4 V	Max. 2.0 V	Max. 0.4 V ^{*)}
RISE TIME TR	Max. 200 ns	Max. 1 μs	Max. 1 μs ^{**)}
FALL TIME TF	Max. 200 ns	Max. 1 μs	Max. 1 μs ^{**)}

^{*)}: NPN OC depends on pull-up resistor, 4.7kΩ for recommended resistance

^{**)}: NPN OC depends on pull-up resistor and cable length

EV40A

STANDARDS AND DIRECTIVES

LOW-VOLTAGE SWITCHGEAR AND CONTROLGEAR EN IEC 61000-6-2
EN IEC 61000-6-4

APPROVALS

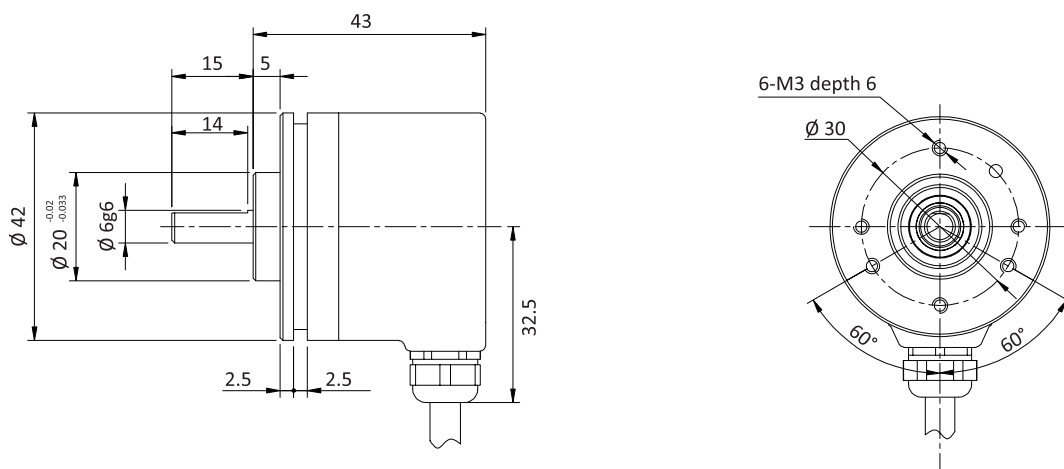


TERMINAL ASSIGNMENT

Signal	0 V	+U _B	A	\bar{A}	B	\bar{B}	Z	\bar{Z}	Shield
Color	WH	BN	GN	YE	GY	PK	BU	RD	\perp

DIMENSIONS (mm)

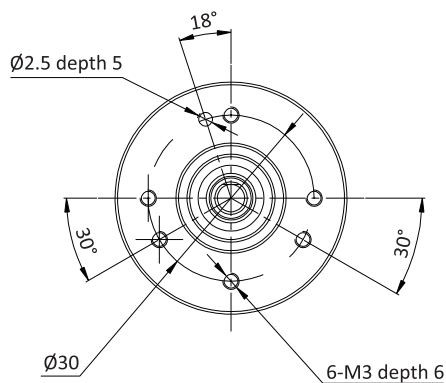
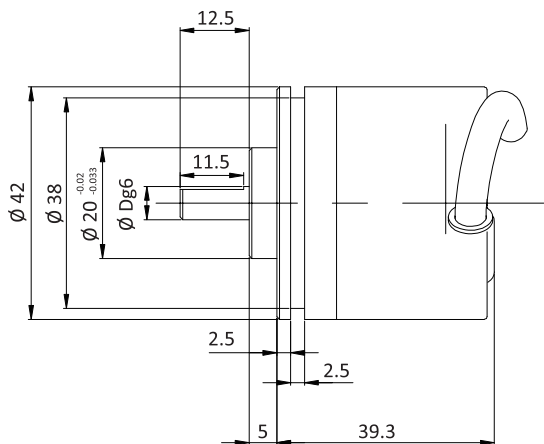
EV40A



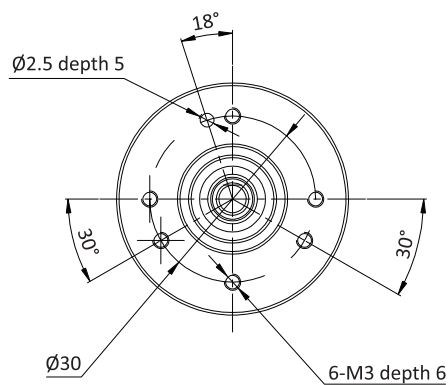
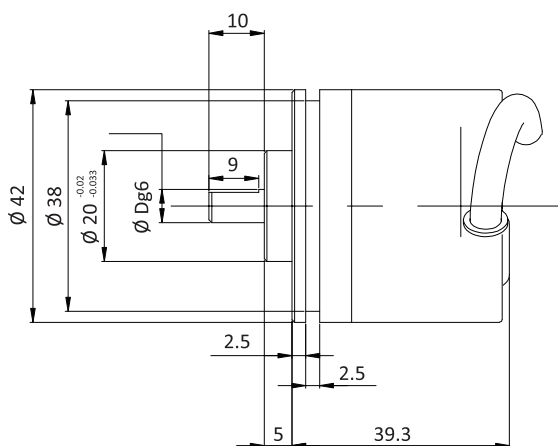
EV40A

DIMENSIONS (mm)

EV40B side pre-wired cable

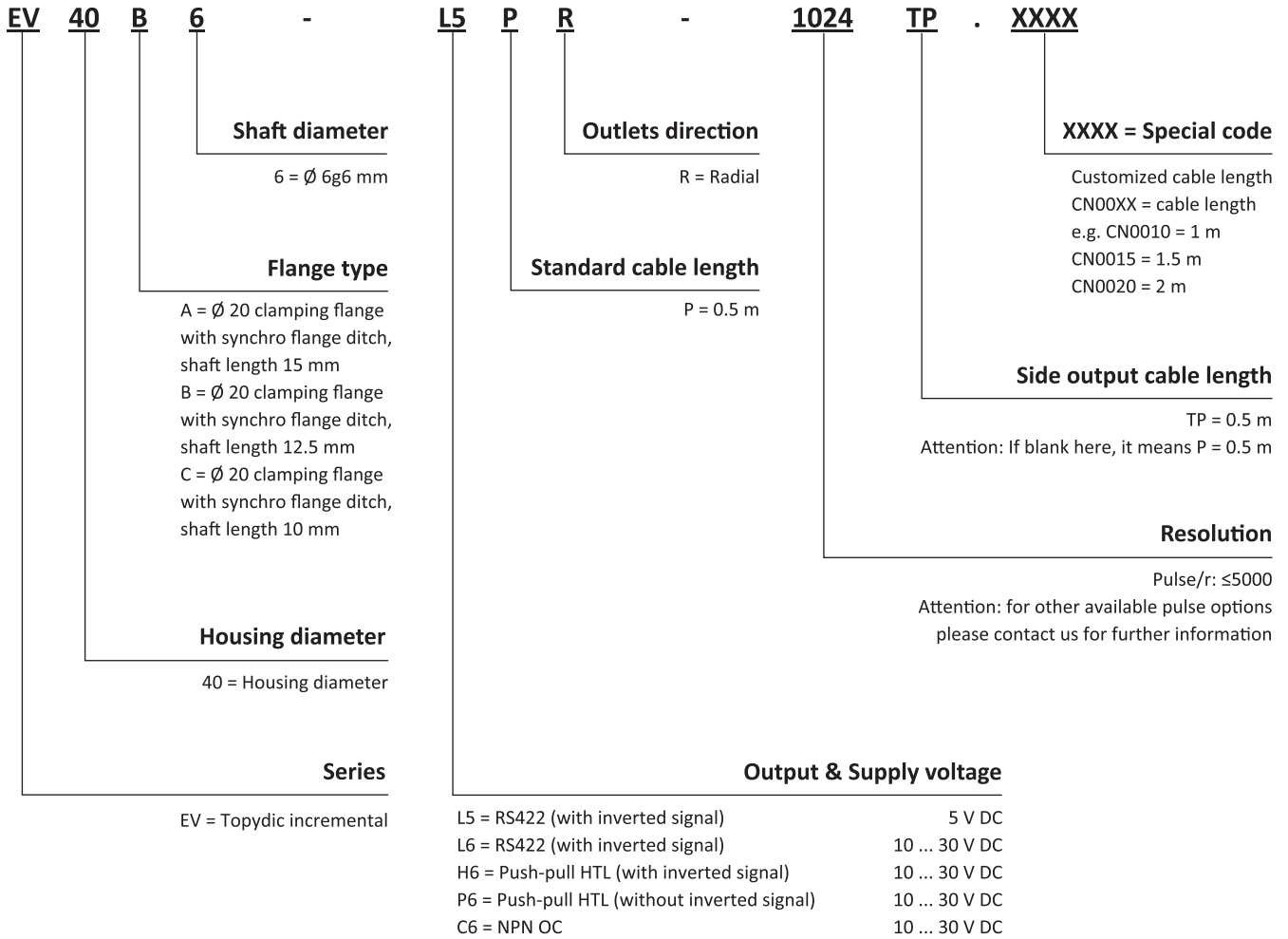


EV40C side pre-wired cable



EV40A

ORDER CODE



EV40A

SALES AND SERVICE

Tianjin Elco Automation Co., Ltd

No. 12, 4th XEDA Branch Road
Xiqing Economic-Technological Development Area
Tianjin 300385, P.R. China
Office Phone: 022 23788282
E-Mail: info@elco.cn
www.elcoautomation.com.cn

Elco Industrie Automation GmbH

Häldenfeld 8
71723 Großbottwar
Germany
Office Phone: +49 7062 / 6599-260
E-Mail: info@elco-automation.de
www.elco-automation.de

Elco Automation LLC

1097 Highway 101 South, Suite D-3 Greer
South Carolina 29651, USA
Office Phone: +1 864-581-7431
E-Mail: infousa@elcoautomation.com
www.elcoautomation.com

Elco Industrial Automation Pvt Ltd.

No 80, 1st Main, 2nd Cross, Royal Enclave,
Sidedahalli, Nagasandra Bangalore 560073, India
Office Phone: +91-7259931777
E-Mail: info@elcoautomation.in
www.elcoautomation.com

Elco Automation Korea Ltd.

706, 17 Daehak 4-ro, Yeongtong-gu, Suwon-si,
Gyeonggi-do, Republic of Korea, 16226
Office Phone: +82-31-216-7890
E-Mail: sales@elcoautomation.co.kr
www.elcoautomation.com