

## EAM58-PNOM

## ARTICLE PROPERTIES

<b>TYPE</b>	Profinet absolute multiturn encoder
<b>SIZE</b>	Ø 58

## TECHNICAL DATA

<b>SHAFT DIAMETER</b>	Ø 6g6 mm 58B Ø 10g6 mm 58C	<b>STARTING TORQUE</b>	< 0.05 N·m
<b>HOLLOW SHAFT DIAMETER</b>	Ø 8H7 mm / Ø 10H7 mm / Ø 12H7 mm 58W	<b>BODY MATERIAL</b>	Aluminum
<b>SPEED</b>	6000 rpm	<b>HOUSING MATERIAL</b>	Aluminum
<b>BEARING LIFE</b>	10 <sup>9</sup> revolution	<b>COVER MATERIAL</b>	Aluminum
<b>MOMENT OF INERTIA</b>	1.8 x 10 <sup>-6</sup> kgm <sup>2</sup>	<b>WEIGHT</b>	600 g

## ENVIRONMENTAL CONDITIONS

<b>PROTECTION CLASS</b>	IP65	<b>OPERATING TEMPERATURE</b>	-40 ... +80 °C
<b>MAX LOAD CAPACITY OF THE SHAFT</b>	40 N axial, 80 N radial	<b>STORAGE TEMPERATURE</b>	-45 ... +85 °C
<b>SHOCK RESISTANCE (EN 60068-2-27)</b>	50 g, 11 ms	<b>RELATIVE HUMIDITY / CONDENSATION</b>	90%, condensation not permitted
<b>VIBRATION RESISTANCE (EN 60068-2-6)</b>	10 g, 10 ... 2000 Hz		

## ELECTRICAL PARAMETERS

<b>MAX. REVOLUTION</b>	4096 (12 bits)	<b>LINEARITY</b>	12 bits±1/2 LSB
<b>MAX. RESOLUTION</b>	262144 (18 bits)	<b>INTERFACE</b>	PROFINET IO/RT Class C
<b>SUPPLY VOLTAGE</b>	10 ... 30 VDC	<b>DATA TRANSMISSION RATE</b>	10/100 Mbit/s
<b>CURRENT CONSUMPTION (NO LOAD)</b>	200 mA	<b>ENCODER SUB-PROTOCOL</b>	V4.1 Class3
<b>MAX. RATE</b>	100 Mbits/s		

## STANDARDS AND DIRECTIVES

<b>LOW-VOLTAGE SWITCHGEAR AND CONTROLGEAR</b>	EN IEC 61000-6-2 EN IEC 61000-6-4
---	--------------------------------------

## APPROVALS



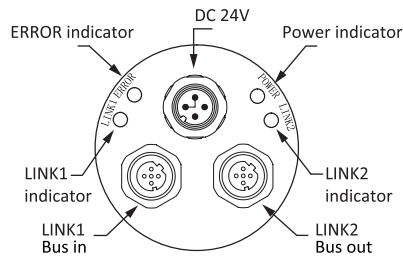
EAM58-PNOM

LED INDICATOR

**POWER INDICATOR** Green light on is normal, red light on is power failure, light off is no power

**ERROR INDICATOR** Green light on is normal, red light on or off is failure

**COMMUNICATION INDICATOR** Slow orange flashing indicates normal communication, fast orange flashing indicates data transmission in progress, and off indicates no connection



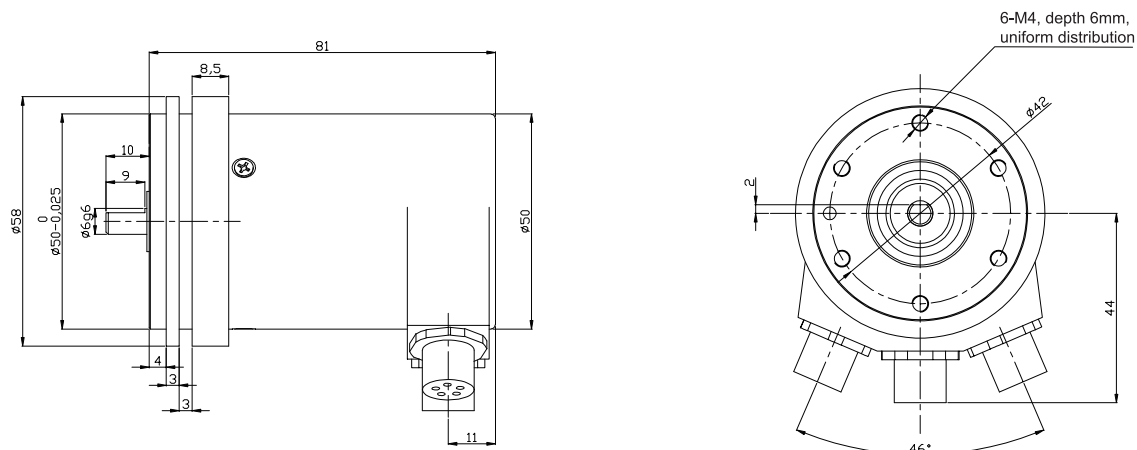
Function	M12 connector					
Bus Port 1	Signal	Transmit data+	Receive data+	Transmit data-	Receive data-	 D coded
	Abbreviation	TxD+	RxD+	TxD-	RxD-	
	Pin number	1	2	3	4	
Power Supply	Signal	Voltage+	-	Voltage-	-	 A coded
	Abbreviation	+V	-	0 V	-	
	Pin number	1	2	3	4	
Bus Port 2	Signal	Transmit data+	Receive data+	Transmit data-	Receive data-	 D coded
	Abbreviation	TxD+	RxD+	TxD-	RxD-	
	Pin number	1	2	3	4	



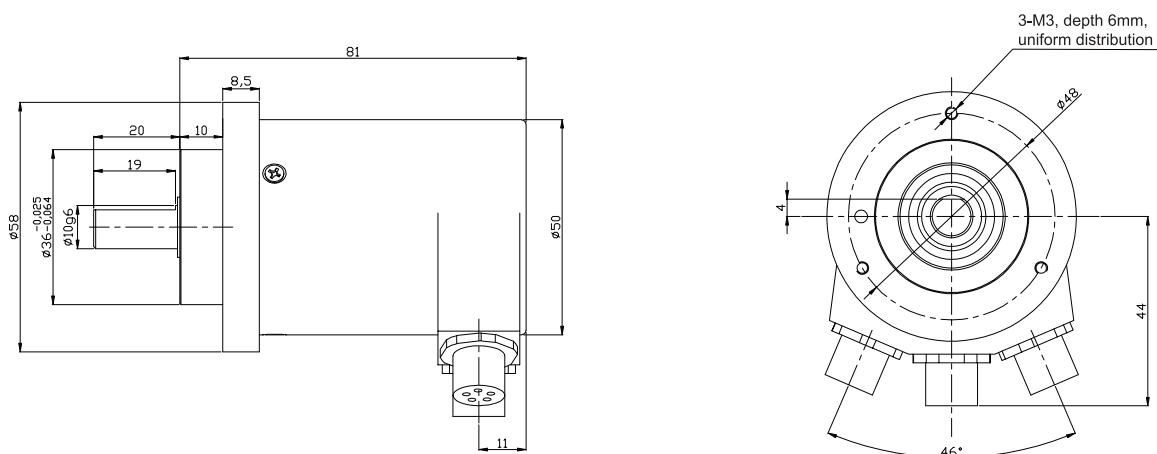
EAM58-PNOM

DIMENSIONS (mm)

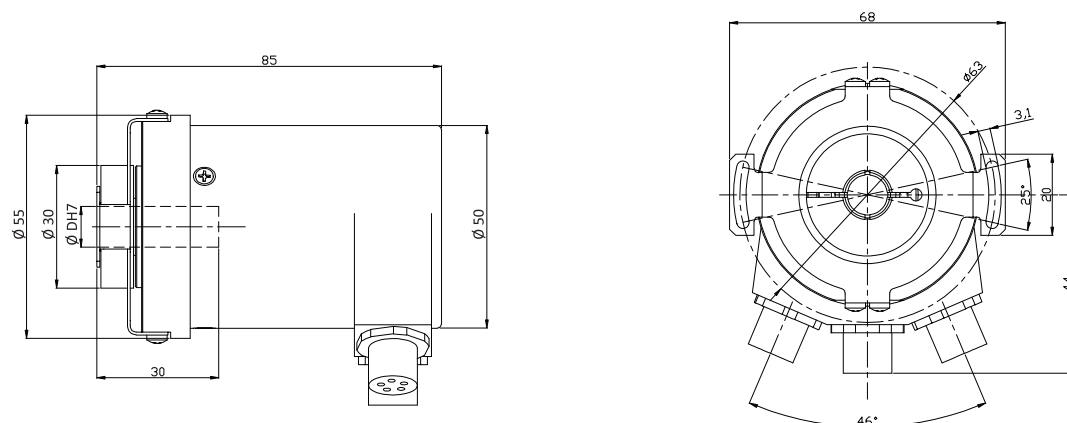
EAM58B Radial



EAM58C Radial



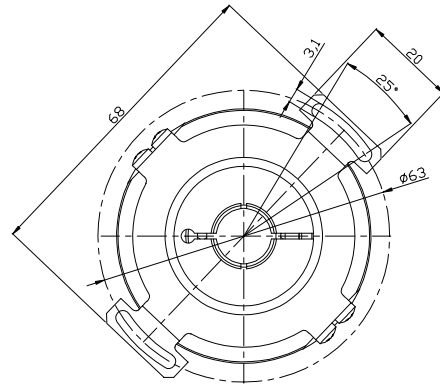
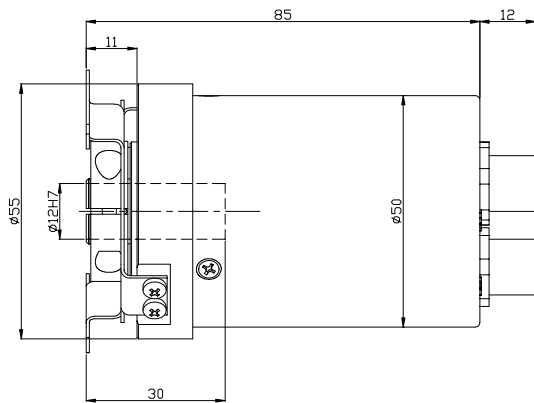
EAM58W8/10 Radial



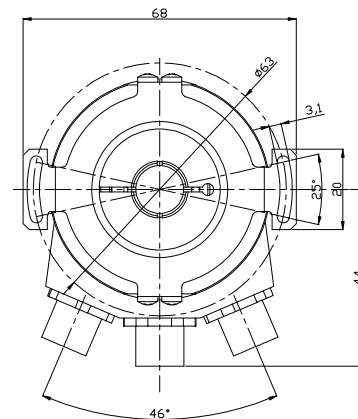
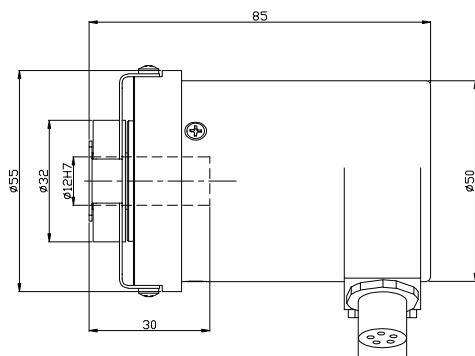
EAM58-PNOM

DIMENSIONS (mm)

EAM58W12 Axial

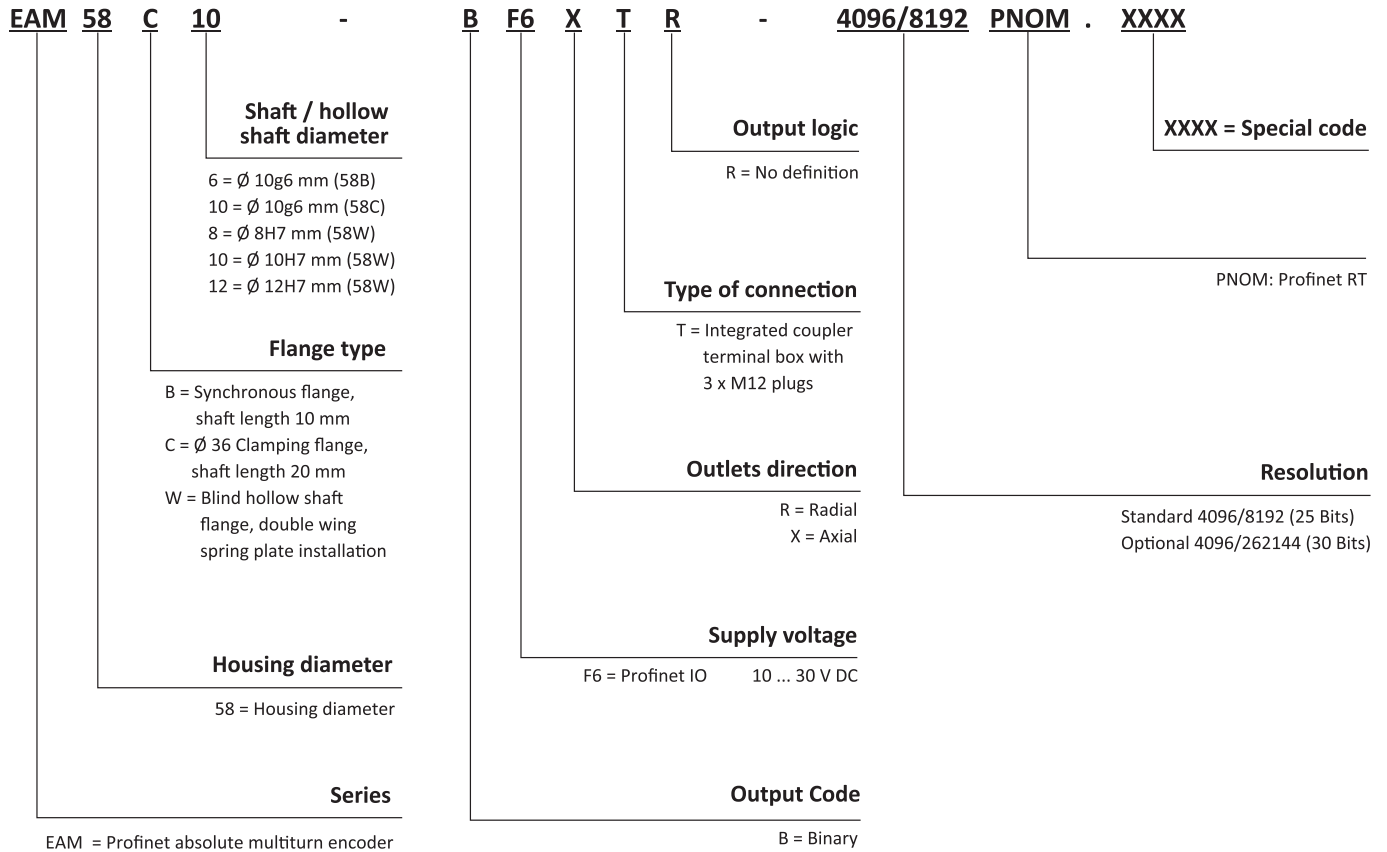


EAM58W12 Radial



EAM58-PNOM

ORDER CODE



Matching connector code:  
 Power terminal connector: TMSP12F-F4  
 Bus input connector: TMSP12FD-M4  
 Bus output connector: TMSP12FD-M4

## EAM58-PNOM

---

### SALES AND SERVICE

**Tianjin Elco Automation Co., Ltd**

No. 12, 4th XEDA Branch Road  
Xiqing Economic-Technological Development Area  
Tianjin 300385, P.R. China  
Office Phone: 022 23788282  
E-Mail: [info@elco.cn](mailto:info@elco.cn)  
[www.elco-holding.com.cn](http://www.elco-holding.com.cn)

**Elco Industrie Automation GmbH**

Benzstrasse 7  
71720 Oberstenfeld,  
Deutschland  
Office Phone: +49 7062 / 6599-260  
E-Mail: [info@elco-automation.de](mailto:info@elco-automation.de)  
[www.elco-automation.de](http://www.elco-automation.de)

**Elco Automation LLC**

1097 Highway 101 South, Suite D-3 Greer  
South Carolina 29651, USA  
Office Phone: +1 864-581-7431  
E-Mail: [infousa@elcoautomation.com](mailto:infousa@elcoautomation.com)  
[www.elcoautomation.com](http://www.elcoautomation.com)

**Elco Industrial Automation Pvt Ltd.**

No 80, 1<sup>st</sup> Main, 2<sup>nd</sup> Cross, Royal Enclave,  
Sidedahalli, Nagasandra Bangalore 560073, India  
Office Phone: +91-7259931777  
E-Mail: [info@elcoautomation.in](mailto:info@elcoautomation.in)  
[www.elcoautomation.com](http://www.elcoautomation.com)

**Elco Automation Korea Ltd.**

706, 17 Daehak 4-ro, Yeongtong-gu, Suwon-si,  
Gyeonggi-do, Republic of Korea, 16226  
Office Phone: +82-31-216-7890  
E-Mail: [sales@elcoautomation.co.kr](mailto:sales@elcoautomation.co.kr)  
[www.elcoautomation.com](http://www.elcoautomation.com)