

EAM58-ECOM

ARTICLE PROPERTIES

TYPE	EtherCAT absolute multiturn encoder
SIZE	Ø 58

TECHNICAL DATA

SHAFT DIAMETER	Ø 6g6 mm 58B Ø 10g6 mm 58C	STARTING TORQUE	< 0.05 N·m
HOLLOW SHAFT DIAMETER	Ø 8H7 mm / Ø 10H7 mm / Ø 12H7 mm 58W	BODY MATERIAL	Aluminum
SPEED	6000 rpm	HOUSING MATERIAL	Aluminum
BEARING LIFE	10 ⁹ revolution	COVER MATERIAL	Aluminum
MOMENT OF INERTIA	1.8 x 10 ⁻⁶ kgm ²	WEIGHT	600 g

ENVIRONMENTAL CONDITIONS

PROTECTION CLASS	IP65	OPERATING TEMPERATURE	-40 ... +80 °C
MAX LOAD CAPACITY OF THE SHAFT	40 N axial, 80 N radial	STORAGE TEMPERATURE	-45 ... +85 °C
SHOCK RESISTANCE (EN 60068-2-27)	50 g, 11 ms	RELATIVE HUMIDITY / CONDENSATION	90%, condensation not permitted
VIBRATION RESISTANCE (EN 60068-2-6)	10 g, 10 ... 2000 Hz		

ELECTRICAL PARAMETERS

INTERFACE	EtherCAT	MAX. BUS RATE	100 Mbits/s
PROFILE	CoE (CANopen over EtherCAT, DS-301 + DS-406)	INTERFACE CYCLE TIME	≥ 62.5 µs
PROGRAMMING FUNCTIONS	Resolution, preset, counting direction	CODE	Binary
SUPPLY VOLTAGE	10...30 VDC	MAX. NUMBER OF LAPS	4096 (12 bits)
CURRENT CONSUMPTION (WITHOUT LOAD)	200 mA	MAX. RESOLUTION	8192 (13 bits)
POWER CONSUMPTION	≤ 2.5 W		

STANDARDS AND DIRECTIVES

LOW-VOLTAGE SWITCHGEAR AND CONTROLGEAR	EN IEC 61000-6-2 EN IEC 61000-6-4
---	--------------------------------------

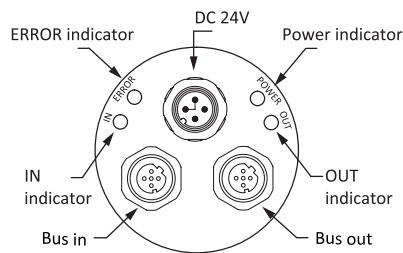
EAM58-ECOM

APPROVALS



LED INDICATOR

- POWER INDICATOR** Green light on is normal, red light on is power failure, light off is no power and communication
- ERROR INDICATOR** Light off is normal, red light on or off is failure
- COMMUNICATION INDICATOR** Slow orange flashing indicates normal communication, fast orange flashing indicates data transmission in progress, and off indicates no connection

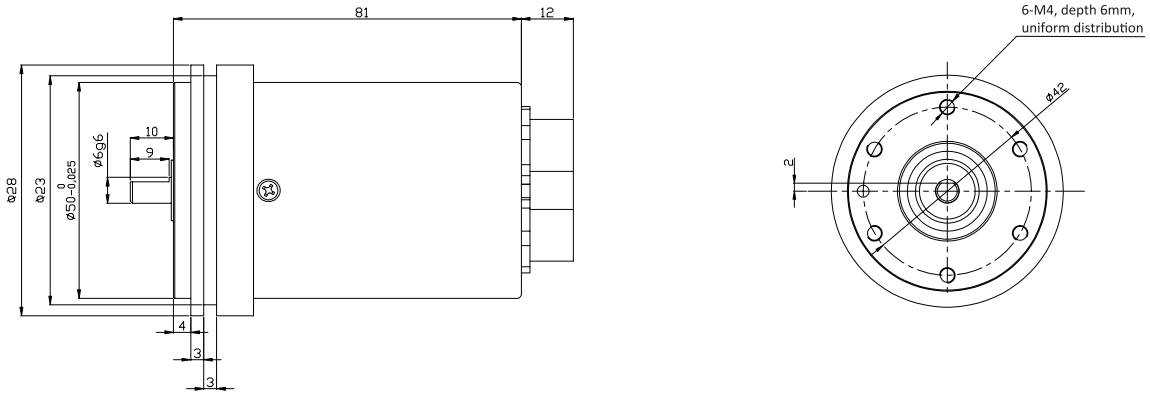


Function	M12 connector					
Bus Port 1	Signal	Transmit data+	Receive data+	Transmit data-	Receive data-	
	Abbreviation	TxD+	RxD+	TxD-	RxD-	
	Pin number	1	2	3	4	
Power Supply	Signal	Voltage+	-	Voltage-	-	
	Abbreviation	+V	-	0 V	-	
	Pin number	1	2	3	4	
Bus Port 2	Signal	Transmit data+	Receive data+	Transmit data-	Receive data-	
	Abbreviation	TxD+	RxD+	TxD-	RxD-	
	Pin number	1	2	3	4	

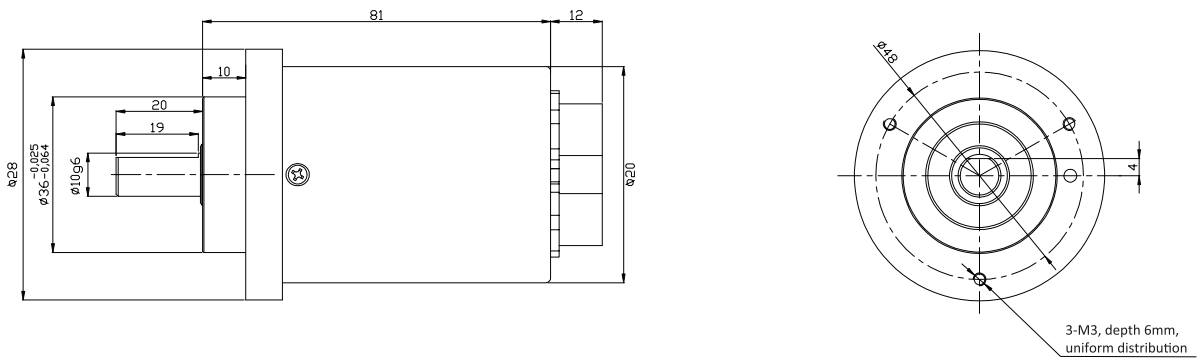
EAM58-ECOM

DIMENSIONS (mm)

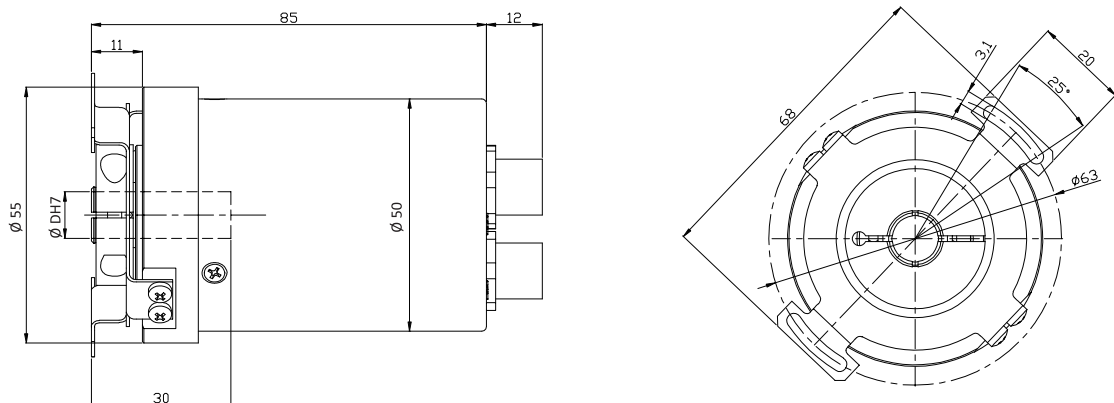
EAM58B Axial



EAM58C Axial



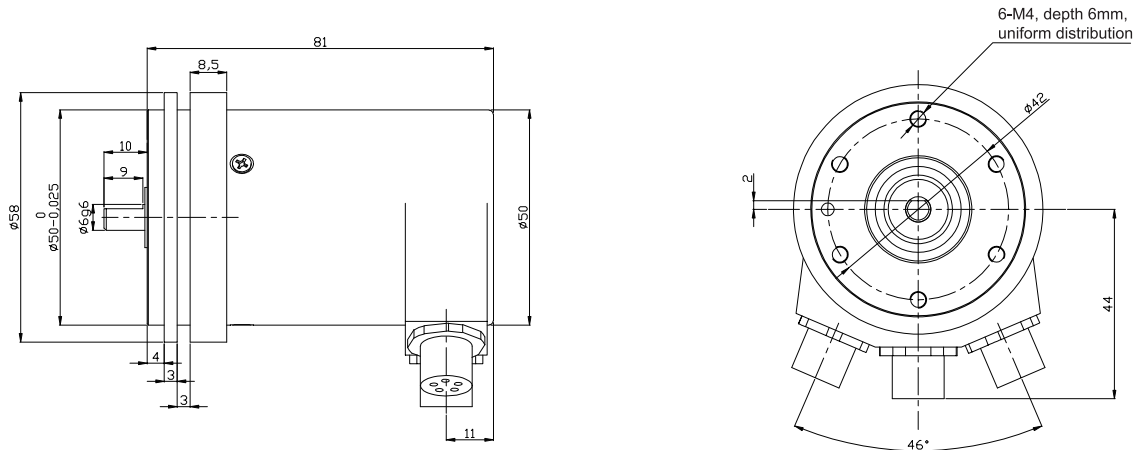
EAM58W8/10 Axial



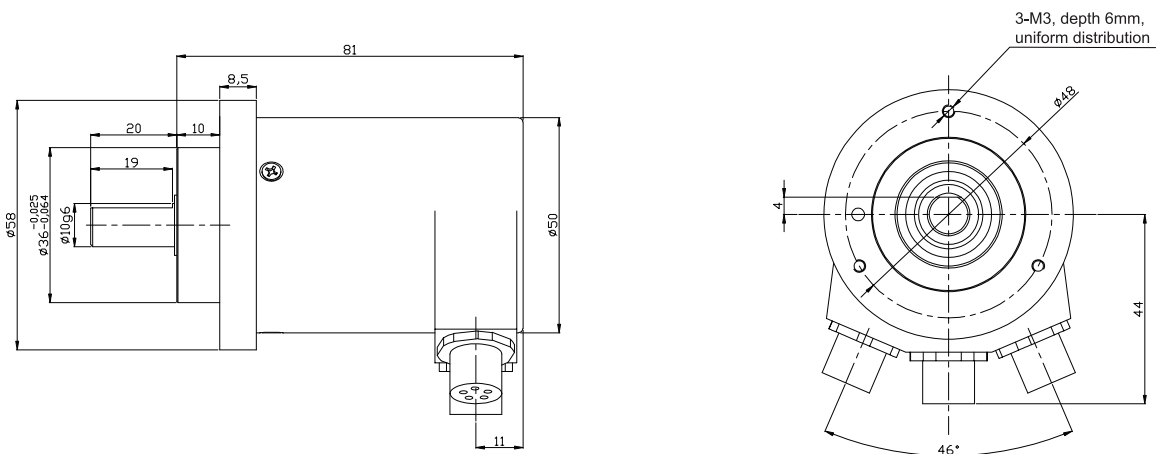
EAM58-ECOM

DIMENSIONS (mm)

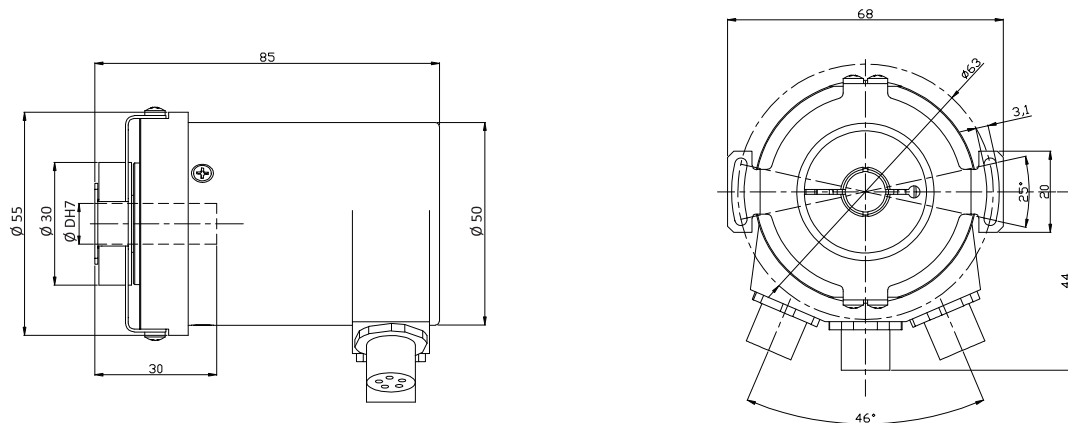
EAM58B Radial



EAM58C Radial



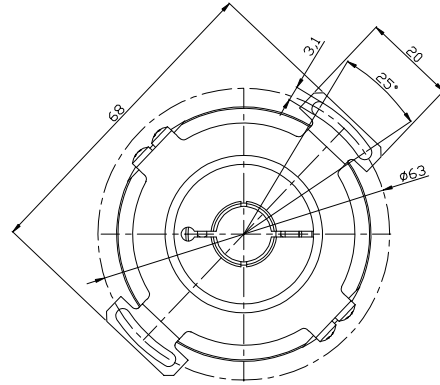
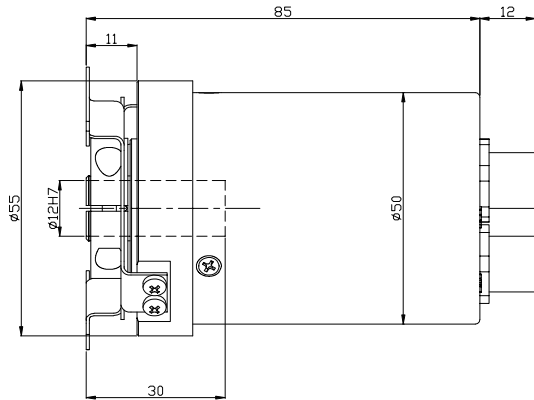
EAM58W8/10 Radial



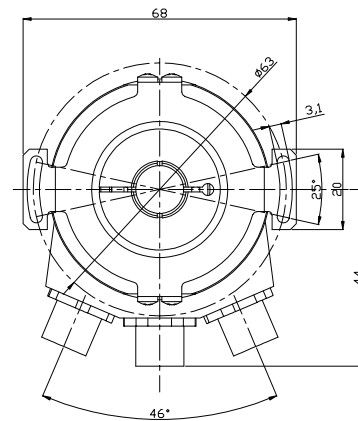
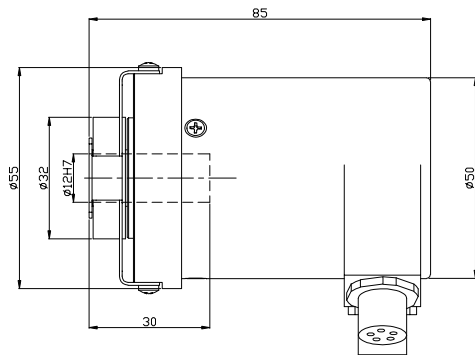
EAM58-ECOM

DIMENSIONS (mm)

EAM58W12 Axial

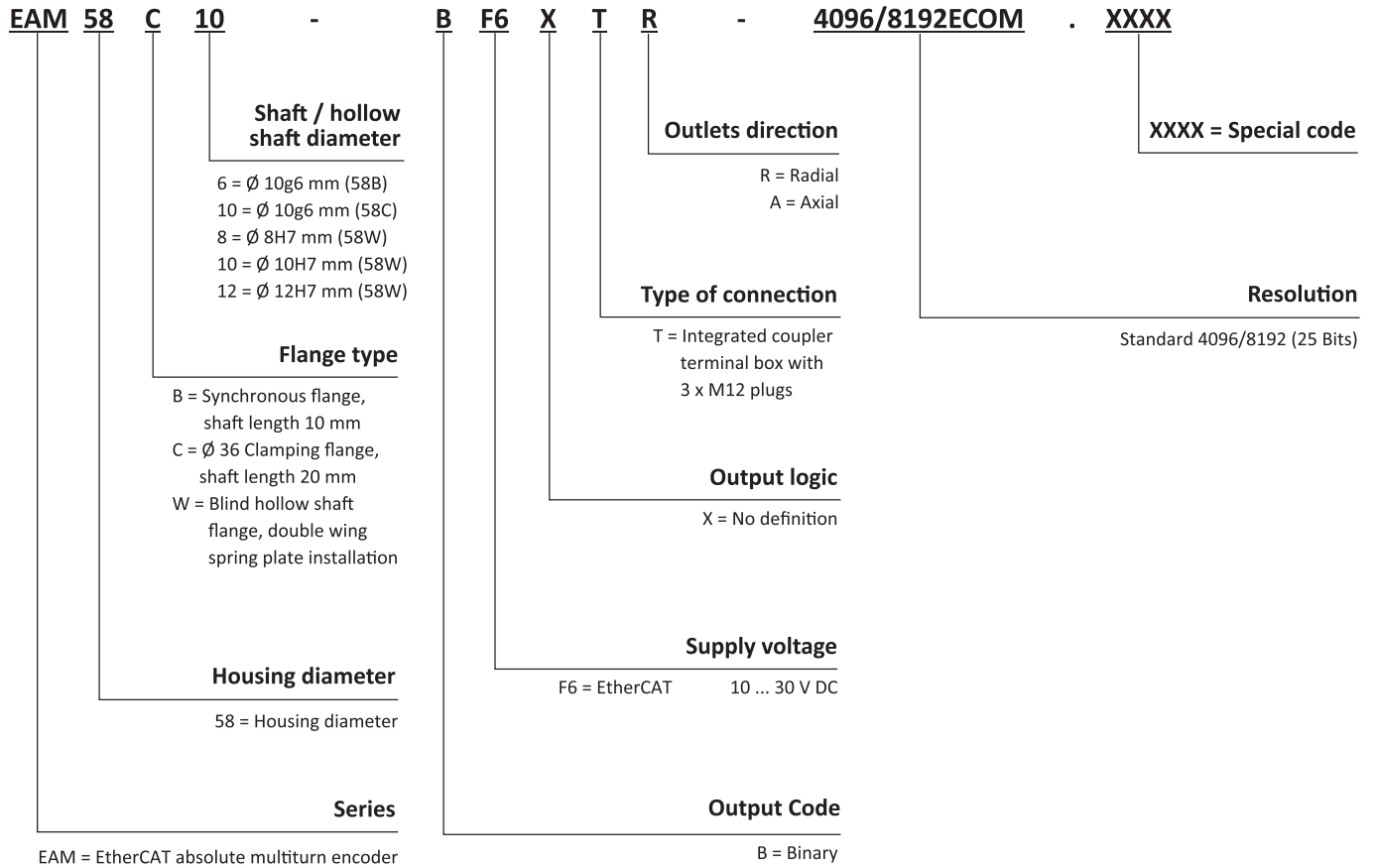


EAM58W12 Radial



EAM58-ECOM

ORDER CODE



Matching connector code:
 Power terminal connector: TMSP12F-F4
 Bus input connector: TMSP12FD-M4
 Bus output connector: TMSP12FD-M4

EAM58-ECOM

SALES AND SERVICE

Tianjin Elco Automation Co., Ltd

No. 12, 4th XEDA Branch Road
Xiqing Economic-Technological Development Area
Tianjin 300385, P.R. China
Office Phone: 022 23788282
E-Mail: info@elco.cn
www.elco-holding.com.cn

Elco Industrie Automation GmbH

Benzstrasse 7
71720 Oberstenfeld,
Deutschland
Office Phone: +49 7062 / 6599-260
E-Mail: info@elco-automation.de
www.elco-automation.de

Elco Automation LLC

1097 Highway 101 South, Suite D-3 Greer
South Carolina 29651, USA
Office Phone: +1 864-581-7431
E-Mail: infousa@elcoautomation.com
www.elcoautomation.com

Elco Industrial Automation Pvt Ltd.

No 80, 1st Main, 2nd Cross, Royal Enclave,
Sidedahalli, Nagasandra Bangalore 560073, India
Office Phone: +91-7259931777
E-Mail: info@elcoautomation.in
www.elcoautomation.com

Elco Automation Korea Ltd.

706, 17 Daehak 4-ro, Yeongtong-gu, Suwon-si,
Gyeonggi-do, Republic of Korea, 16226
Office Phone: +82-31-216-7890
E-Mail: sales@elcoautomation.co.kr
www.elcoautomation.com