

## LKHA-16UP-M12G

## ARTICLE PROPERTIES

|                     |                          |
|---------------------|--------------------------|
| <b>PRODUCT TYPE</b> | IO-Link IP67 Hub         |
| <b>DESCRIPTION</b>  | 16 DI/DO, Class-A, 8*M12 |

## ELECTRICAL CONNECTION

|                     |                                       |               |                                 |
|---------------------|---------------------------------------|---------------|---------------------------------|
| <b>IO-LINK</b>      | Class-A: 1 × M12 A-code<br>4pin, Male | <b>SIGNAL</b> | 8 × M12 A-code 5 pin,<br>Female |
| <b>POWER SUPPLY</b> | Included in IO-Link interface         |               |                                 |

## ELECTRICAL PARAMETERS

|   |   |                         |   |
|---|---|-------------------------|---|
| <b>INPUT CHANNELS</b>                     | Max. 16   | <b>OUTPUT CHANNELS</b>  | Max. 16                                       |
| <b>INPUT SUPPLY CURRENT</b>               | Max. 200 mA per channel,<br>1.6 A in total              | <b>OUTPUT CURRENT</b>   | Max. 500 mA per channel, 2<br>A in total      |
| <b>INPUT TYPE</b>                         | PNP sensors, mechanical<br>switches, dry contacts, etc. | <b>OUTPUT TYPE</b>      | Lamps, solenoidvalve, etc.                    |
| <b>INPUT DELAY</b>                        | 1.6 ms  | <b>OUTPUT FREQUENCY</b> | Resistive load 100 Hz,<br>Inductive load 5 Hz |
| <b>MODULE COMMUNICATION<br/>INDICATOR</b> | Green LED   | <b>PROCESS DATA IN</b>  | 8 bytes                                       |
| <b>POWER SUPPLY INDICATOR</b>             | Green LED   | <b>PROCESS DATA OUT</b> | 2 bytes                                       |
| <b>SIGNAL STATUS INDICATOR</b>            | Green LED   |                         |   |

## DIAGNOSTICS

|                             |  |                      |                         |
|-----------------------------|--|----------------------|-------------------------|
| <b>COMMUNICATION STATUS</b> | LED indication,<br>communication message | <b>SHORT-CIRCUIT</b> | Support, LED indication |
| <b>VOLTAGE DETECTION</b>    | Support, low voltage alarm               | <b>OVERLOAD</b>      | Support, LED indication |

## FUNCTIONAL SAFETY

|                     |     |
|---------------------|-----|
| <b>MTTF (40 °C)</b> | 65a |
|---------------------|-----|

## GENERAL DATA

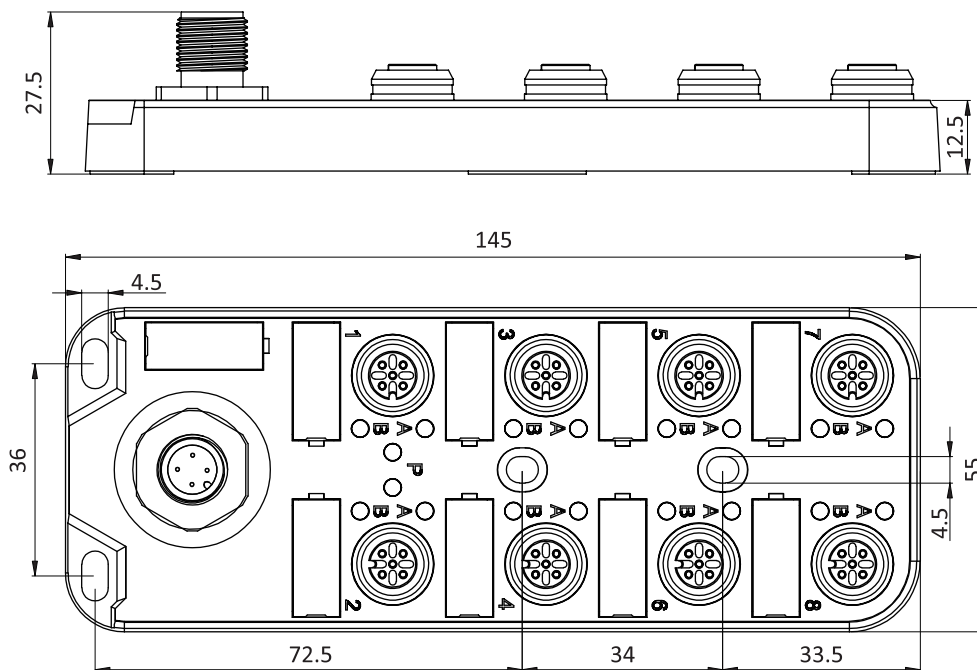
|                         |                    |                              |                    |
|-------------------------|--------------------|------------------------------|--------------------|
| <b>PROTECTION CLASS</b> | IP67               | <b>OPERATING TEMPERATURE</b> | -25 ... +70 °C     |
| <b>DIMENSIONS</b>       | 55 × 145 × 27.5 mm | <b>STORAGE TEMPERATURE</b>   | -40 ... +85 °C     |
| <b>WEIGHT</b>           | 349.3 g            | <b>HOUSING MATERIAL</b>      | Casting Zinc Alloy |

## APPROVALS



LKHA-16UP-M12G

DIMENSIONS



INTERFACE DRAWING

| CLASS-A PORT (MALE) | FUNCTION               |
|---------------------|------------------------|
|                     | 1 - Power supply_24 V+ |
|                     | 2 - Output supply_P24  |
|                     | 3 - Power supply_GND   |
|                     | 4 - IO-Link            |

| I/O PORT (FEMALE) | FUNCTION                |
|-------------------|-------------------------|
|                   | 1 - Power supply_24 V+  |
|                   | 2 - Signal IN/OUT_B     |
|                   | 3 - Power supply_GND    |
|                   | 4 - Signal IN/OUT_A     |
|                   | 5 - Protective earth_PE |

## LKHA-16UP-M12G

---

### SALES AND SERVICE

**Tianjin Elco Automation Co., Ltd**

No. 12, 4th XEDA Branch Road  
Xiqing Economic-Technological Development Area  
Tianjin 300385, P.R. China  
Office Phone: 022 23788282  
E-Mail: [info@elco.cn](mailto:info@elco.cn)  
[www.elco-holding.com.cn](http://www.elco-holding.com.cn)

**Elco Industrie Automation GmbH**

Benzstrasse 7  
71720 Oberstenfeld,  
Deutschland  
Office Phone: +49 7062 / 6599-260  
E-Mail: [info@elco-automation.de](mailto:info@elco-automation.de)  
[www.elco-automation.de](http://www.elco-automation.de)

**Elco Automation LLC**

1097 Highway 101 South, Suite D-3 Greer  
South Carolina 29651, USA  
Office Phone: +1 864-581-7431  
E-Mail: [infousa@elcoautomation.com](mailto:infousa@elcoautomation.com)  
[www.elcoautomation.com](http://www.elcoautomation.com)

**Elco Industrial Automation Pvt Ltd.**

No 80, 1<sup>st</sup> Main, 2<sup>nd</sup> Cross, Royal Enclave,  
Sidedahalli, Nagasandra Bangalore 560073, India  
Office Phone: +91-7259931777  
E-Mail: [info@elcoautomation.in](mailto:info@elcoautomation.in)  
[www.elcoautomation.com](http://www.elcoautomation.com)

**Elco Automation Korea Ltd.**

706, 17 Daehak 4-ro, Yeongtong-gu, Suwon-si,  
Gyeonggi-do, Republic of Korea, 16226  
Office Phone: +82-31-216-7890  
E-Mail: [sales@elcoautomation.co.kr](mailto:sales@elcoautomation.co.kr)  
[www.elcoautomation.com](http://www.elcoautomation.com)