

LKHA-08UP-M8

ARTICLE PROPERTIES

| | |
|---------------------|-------------------------|
| PRODUCT TYPE | IO-Link IP67 hub |
| DESCRIPTION | 8DI / DO, Class-A, 8*M8 |

ELECTRICAL CONNECTION

| | | | |
|---------------------|--|---------------|----------------------|
| IO-LINK | Class-A: 1 × M12 A-code 4-pin, Male | SIGNAL | 8 × M8 3 pin, Female |
| POWER SUPPLY | Included in IO-Link interface | | |

ELECTRICAL PARAMETERS

| | | | |
|---|---|-------------------------|---|
| INPUT CHANNELS | Max. 8 | OUTPUT CHANNELS | Max. 8 |
| INPUT SUPPLY CURRENT | Max. 200 mA per channel, sum 1.6 A | OUTPUT CURRENT | Max. 500 mA per channel, sum 2 A |
| INPUT TYPE | PNP sensors, mechanical switches, dry contacts, etc. | OUTPUT TYPE | Lamps, solenoidvalve, etc. |
| INPUT DELAY | 1.6 ms | OUTPUT FREQUENCY | Resistive load 100 Hz, Inductive load 5 Hz |
| MODULE COMMUNICATION INDICATOR | Green LED | PROCESS DATA IN | 1 bytes |
| POWER SUPPLY INDICATOR | Green LED | PROCESS DATA OUT | 1 bytes |
| SIGNAL STATUS INDICATOR | Green LED | | |

DIAGNOSTICS

| | | | |
|-----------------------------|--|----------------------|-------------------------|
| COMMUNICATION STATUS | LED indication, communication message | SHORT-CIRCUIT | Support, LED indication |
| VOLTAGE DETECTION | Support, low voltage alarm | OVERLOAD | Support, LED indication |

FUNCTIONAL SAFETY

| | |
|---------------------|-----|
| MTTF (40 °C) | 64a |
|---------------------|-----|

GENERAL DATA

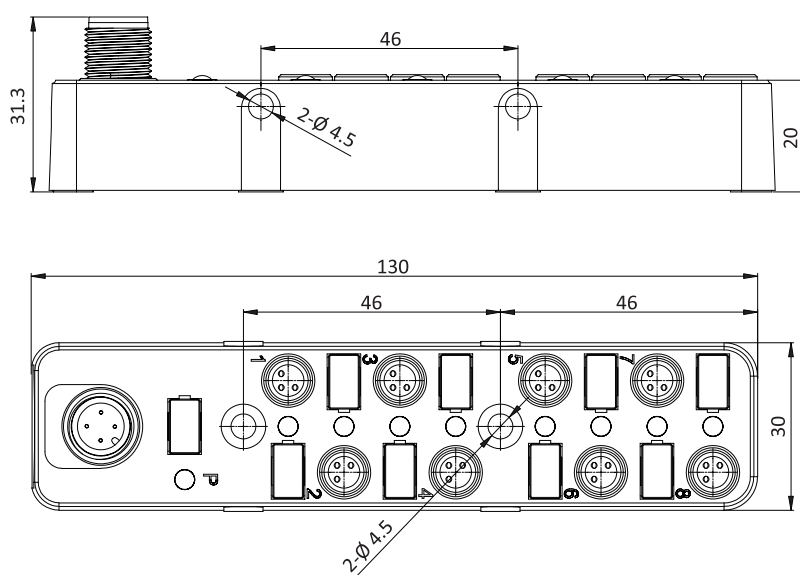
| | | | |
|-------------------------|--------------------|------------------------------|----------------|
| PROTECTION CLASS | IP67 | OPERATING TEMPERATURE | -25 ... +70 °C |
| DIMENSIONS | 30 × 130 × 31.3 mm | STORAGE TEMPERATURE | -40 ... +85 °C |
| WEIGHT | 117.3 g | | |

LKHA-08UP-M8

APPROVALS



DIMENSIONS



INTERFACE DRAWING

| CLASS-A PORT (MALE) | FUNCTION |
|---------------------|------------------------|
| | 1 - Power supply_24 V+ |
| | 2 - Output supply_P24 |
| | 3 - Power supply_GND |
| | 4 - IO-Link |

| I/O PORT (FEMALE) | FUNCTION |
|-------------------|------------------------|
| | 1 - Power supply_24 V+ |
| | 3 - Power supply_GND |
| | 4 - Signal IN/OUT |

LKHA-08UP-M8

SALES AND SERVICE**Tianjin Elco Automation Co., Ltd**

No. 12, 4th XEDA Branch Road
Xiqing Economic-Technological Development Area
Tianjin 300385, P.R. China
Office Phone: 022 23788282
E-Mail: info@elco.cn
www.elco-holding.com.cn

Elco Industrie Automation GmbH

Benzstrasse 7
71720 Oberstenfeld,
Deutschland
Office Phone: +49 7062 / 6599-260
E-Mail: info@elco-automation.de
www.elco-automation.de

Elco Automation LLC

1097 Highway 101 South, Suite D-3 Greer
South Carolina 29651, USA
Office Phone: +1 864-581-7431
E-Mail: infousa@elcoautomation.com
www.elcoautomation.com

Elco Industrial Automation Pvt Ltd.

No 80, 1st Main, 2nd Cross, Royal Enclave,
Sidedahalli, Nagasandra Bangalore 560073, India
Office Phone: +91-7259931777
E-Mail: info@elcoautomation.in
www.elcoautomation.com

Elco Automation Korea Ltd.

706, 17 Daehak 4-ro, Yeongtong-gu, Suwon-si,
Gyeonggi-do, Republic of Korea, 16226
Office Phone: +82-31-216-7890
E-Mail: sales@elcoautomation.co.kr
www.elcoautomation.com