

LKHA-088UN-M12

ARTICLE PROPERTIES

PRODUCT TYPE	IO-Link IP67 hub
DESCRIPTION	8DI + 8DIO, Class-A, 8*M12

ELECTRICAL CONNECTION

IO-LINK	Class-A: 1 x M12 A-code 4-pin, Male	SIGNAL	8 x M12 A-code 5 pin, Female
POWER SUPPLY	Included in IO-Link interface		

ELECTRICAL PARAMETERS

INPUT CHANNELS	Max. 16	OUTPUT CHANNELS	Max. 8
INPUT SUPPLY CURRENT	Max. 200 mA per channel, sum 1.6 A	OUTPUT CURRENT	Max. 500 mA per channel, 2 A in total
INPUT TYPE	NPN sensors, mechanical switches, dry contacts, etc.	OUTPUT TYPE	Lamps, solenoidvalve, etc.
INPUT DELAY	1.6 ms	OUTPUT FREQUENCY	Resistive load 100 Hz, Inductive load 5 Hz
MODULE COMMUNICATION INDICATOR	Green LED	PROCESS DATA IN	2 bytes
POWER SUPPLY INDICATOR	Green LED	PROCESS DATA OUT	1 bytes
SIGNAL STATUS INDICATOR	Green LED		

DIAGNOSTICS

COMMUNICATION STATUS	LED indication, communication message	SHORT-CIRCUIT	Support, LED indication
VOLTAGE DETECTION	Support, low voltage alarm	OVERLOAD	Support, LED indication

FUNCTIONAL SAFETY

MTTF (40 °C)	85a
---------------------	-----

GENERAL DATA

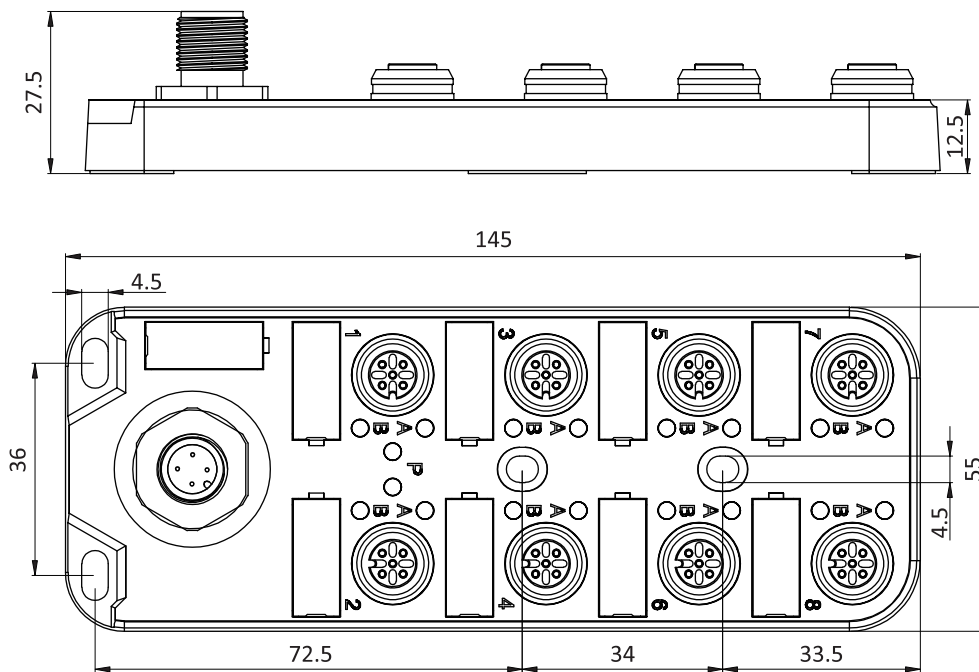
PROTECTION CLASS	IP67	OPERATING TEMPERATURE	-25 ... +70 °C
DIMENSIONS	55 x 145 x 27.5 mm	STORAGE TEMPERATURE	-40 ... +85 °C
WEIGHT	176 g		

LKHA-088UN-M12

APPROVALS

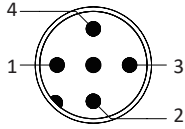


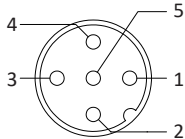
DIMENSIONS



LKHA-088UP-M12

INTERFACE DRAWING

CLASS-A PORT (MALE)	FUNCTION
	1 - Power supply_24 V+
	2 - Output supply_P24
	3 - Power supply_GND
	4 - IO-Link

I/O PORT (FEMALE)	FUNCTION
	1 - Power supply_24 V+
	2 - Signal IN/OUT_B
	3 - Power supply_GND
	4 - Signal IN/OUT_A
	5 - Protective earth_PE

LKHA-088UP-M12

SALES AND SERVICE

Tianjin Elco Automation Co., Ltd

No. 12, 4th XEDA Branch Road
Xiqing Economic-Technological Development Area
Tianjin 300385, P.R. China
Office Phone: 022 23788282
E-Mail: info@elco.cn
www.elco-holding.com.cn

Elco Industrie Automation GmbH

Benzstrasse 7
71720 Oberstenfeld,
Deutschland
Office Phone: +49 7062 / 6599-260
E-Mail: info@elco-automation.de
www.elco-automation.de

Elco Automation LLC

1097 Highway 101 South, Suite D-3 Greer
South Carolina 29651, USA
Office Phone: +1 864-581-7431
E-Mail: infousa@elcoautomation.com
www.elcoautomation.com

Elco Industrial Automation Pvt Ltd.

No 80, 1st Main, 2nd Cross, Royal Enclave,
Sidedahalli, Nagasandra Bangalore 560073, India
Office Phone: +91-7259931777
E-Mail: info@elcoautomation.in
www.elcoautomation.com

Elco Automation Korea Ltd.

706, 17 Daehak 4-ro, Yeongtong-gu, Suwon-si,
Gyeonggi-do, Republic of Korea, 16226
Office Phone: +82-31-216-7890
E-Mail: sales@elcoautomation.co.kr
www.elcoautomation.com