

## LKHA-0800P-M12

## ARTICLE PROPERTIES

|                     |                     |
|---------------------|---------------------|
| <b>PRODUCT TYPE</b> | IO-Link IP67 hub    |
| <b>DESCRIPTION</b>  | 8DI, Class-A, 4*M12 |

## ELECTRICAL CONNECTION

|                     |                                     |               |                            |
|---------------------|-------------------------------------|---------------|----------------------------|
| <b>IO-LINK</b>      | Class-A: 1 × M12 A-code 4 pin, Male | <b>SIGNAL</b> | 4 × M12 A-code 4 pin, Male |
| <b>POWER SUPPLY</b> | Included in IO-Link interface       |               |                            |

## ELECTRICAL PARAMETERS

|                                       |  |                         |  |
|---------------------------------------|--|-------------------------|--|
| <b>INPUT CHANNELS</b>                 | 8  | <b>OUTPUT CHANNELS</b>  | -  |
| <b>INPUT SUPPLY CURRENT</b>           | Max. 200 mA per channel, sum 1.6 A                   | <b>OUTPUT CURRENT</b>   | Max. 500 mA per channel, 2 A in total      |
| <b>INPUT TYPE</b>                     | PNP sensors, mechanical switches, dry contacts, etc. | <b>OUTPUT TYPE</b>      | Lamps, solenoidvalve, etc.                 |
| <b>INPUT DELAY</b>                    | 1.6 ms   | <b>OUTPUT FREQUENCY</b> | Resistive load 100 Hz, Inductive load 5 Hz |
| <b>MODULE COMMUNICATION INDICATOR</b> | Green LED  | <b>PROCESS DATA IN</b>  | 1 bytes                                    |
| <b>POWER SUPPLY INDICATOR</b>         | Green LED  | <b>PROCESS DATA OUT</b> | 0 bytes                                    |
| <b>SIGNAL STATUS INDICATOR</b>        | Green LED  |                         |  |

## DIAGNOSTICS

|                             |                                       |                      |                         |
|-----------------------------|---------------------------------------|----------------------|-------------------------|
| <b>COMMUNICATION STATUS</b> | LED indication, communication message | <b>SHORT-CIRCUIT</b> | Support, LED indication |
| <b>VOLTAGE DETECTION</b>    | Support, low voltage alarm            | <b>OVERLOAD</b>      | Support, LED indication |

## FUNCTIONAL SAFETY

|                     |     |
|---------------------|-----|
| <b>MTTF (40 °C)</b> | 72a |
|---------------------|-----|

## GENERAL DATA

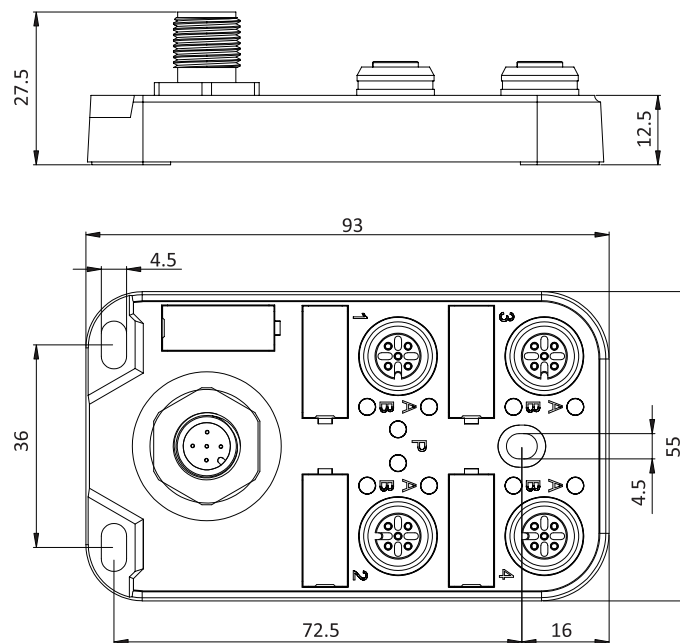
|                         |                   |                              |                |
|-------------------------|-------------------|------------------------------|----------------|
| <b>PROTECTION CLASS</b> | IP67              | <b>OPERATING TEMPERATURE</b> | -25 ... +70 °C |
| <b>DIMENSIONS</b>       | 55 × 93 × 27.5 mm | <b>STORAGE TEMPERATURE</b>   | -40 ... +85 °C |
| <b>WEIGHT</b>           | 115.75 g          |                              |                |

LKHA-0800P-M12

APPROVALS

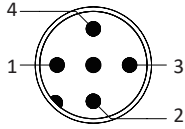


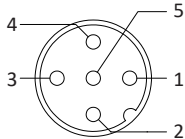
DIMENSIONS



LKHA-0800P-M12

INTERFACE DRAWING

| CLASS-A PORT (MALE)   | FUNCTION               |
|---|------------------------|
|  | 1 - Power supply_24 V+ |
|   | 2 - Output supply_P24  |
|   | 3 - Power supply_GND   |
|   | 4 - IO-Link            |

| I/O PORT (FEMALE)   | FUNCTION                |
|---|-------------------------|
|  | 1 - Power supply_24 V+  |
|   | 2 - Signal IN/OUT_B     |
|   | 3 - Power supply_GND    |
|   | 4 - Signal IN/OUT_A     |
|   | 5 - Protective earth_PE |

## LKHA-0800P-M12

---

### SALES AND SERVICE

**Tianjin Elco Automation Co., Ltd**

No. 12, 4th XEDA Branch Road  
Xiqing Economic-Technological Development Area  
Tianjin 300385, P.R. China  
Office Phone: 022 23788282  
E-Mail: [info@elco.cn](mailto:info@elco.cn)  
[www.elco-holding.com.cn](http://www.elco-holding.com.cn)

**Elco Industrie Automation GmbH**

Benzstrasse 7  
71720 Oberstenfeld,  
Deutschland  
Office Phone: +49 7062 / 6599-260  
E-Mail: [info@elco-automation.de](mailto:info@elco-automation.de)  
[www.elco-automation.de](http://www.elco-automation.de)

**Elco Automation LLC**

1097 Highway 101 South, Suite D-3 Greer  
South Carolina 29651, USA  
Office Phone: +1 864-581-7431  
E-Mail: [infousa@elcoautomation.com](mailto:infousa@elcoautomation.com)  
[www.elcoautomation.com](http://www.elcoautomation.com)

**Elco Industrial Automation Pvt Ltd.**

No 80, 1<sup>st</sup> Main, 2<sup>nd</sup> Cross, Royal Enclave,  
Sidedahalli, Nagasandra Bangalore 560073, India  
Office Phone: +91-7259931777  
E-Mail: [info@elcoautomation.in](mailto:info@elcoautomation.in)  
[www.elcoautomation.com](http://www.elcoautomation.com)

**Elco Automation Korea Ltd.**

706, 17 Daehak 4-ro, Yeongtong-gu, Suwon-si,  
Gyeonggi-do, Republic of Korea, 16226  
Office Phone: +82-31-216-7890  
E-Mail: [sales@elcoautomation.co.kr](mailto:sales@elcoautomation.co.kr)  
[www.elcoautomation.com](http://www.elcoautomation.com)