

## LKHA-0800N-M8

## ARTICLE PROPERTIES

<b>PRODUCT TYPE</b>	IO-Link IP67 hub
<b>DESCRIPTION</b>	8DI, Class-A, 8*M8

## ELECTRICAL CONNECTION

<b>IO-LINK</b>	Class-A: 1 × M12 A-code 4-pin, Male	<b>SIGNAL</b>	8 × M8 3 pin, Female
<b>POWER SUPPLY</b>	Included in IO-Link interface		

## ELECTRICAL PARAMETERS

<b>INPUT CHANNELS</b>	8	<b>OUTPUT CHANNELS</b>	-
<b>INPUT SUPPLY CURRENT</b>	Max. 200 mA per channel, sum 1.6 A	<b>OUTPUT CURRENT</b>	Max. 500 mA per channel, sum 2 A
<b>INPUT TYPE</b>	NPN sensors, mechanical switches, dry contacts, etc.	<b>OUTPUT TYPE</b>	Lamps, solenoidvalve, etc.
<b>INPUT DELAY</b>	1.6 ms	<b>OUTPUT FREQUENCY</b>	Resistive load 100 Hz, Inductive load 5 Hz
<b>MODULE COMMUNICATION INDICATOR</b>	Green LED	<b>PROCESS DATA IN</b>	1 bytes
<b>POWER SUPPLY INDICATOR</b>	Green LED	<b>PROCESS DATA OUT</b>	0 bytes
<b>SIGNAL STATUS INDICATOR</b>	Green LED		

## DIAGNOSTICS

<b>COMMUNICATION STATUS</b>	LED indication, communication message	<b>SHORT-CIRCUIT</b>	Support, LED indication
<b>VOLTAGE DETECTION</b>	Support, low voltage alarm	<b>OVERLOAD</b>	Support, LED indication

## FUNCTIONAL SAFETY

<b>MTTF (40 °C)</b>	60a
---------------------	-----

## GENERAL DATA

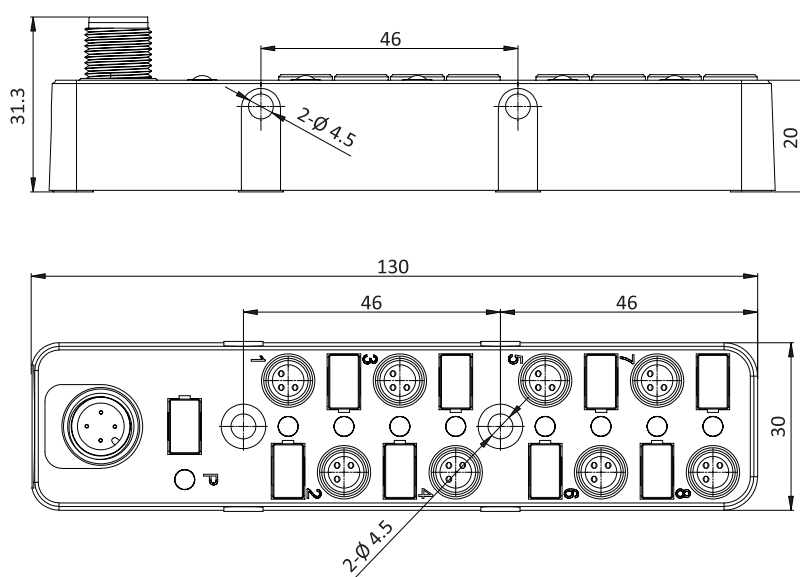
<b>PROTECTION CLASS</b>	IP67	<b>OPERATING TEMPERATURE</b>	-25 ... +70 °C
<b>DIMENSIONS</b>	30 × 130 × 31.3 mm	<b>STORAGE TEMPERATURE</b>	-40 ... +85 °C
<b>WEIGHT</b>	117.3 g		

LKHA-0800N-M8

APPROVALS



DIMENSIONS



INTERFACE DRAWING

CLASS-A PORT (MALE)	FUNCTION
	1 - Power supply_24 V+
	2 - Output supply_P24
	3 - Power supply_GND
	4 - IO-Link

I/O PORT (FEMALE)	FUNCTION
	1 - Power supply_24 V+
	3 - Power supply_GND
	4 - Signal IN/OUT

## LKHA-0800N-M8

---

### SALES AND SERVICE

**Tianjin Elco Automation Co., Ltd**

No. 12, 4th XEDA Branch Road  
Xiqing Economic-Technological Development Area  
Tianjin 300385, P.R. China  
Office Phone: 022 23788282  
E-Mail: [info@elco.cn](mailto:info@elco.cn)  
[www.elco-holding.com.cn](http://www.elco-holding.com.cn)

**Elco Industrie Automation GmbH**

Benzstrasse 7  
71720 Oberstenfeld,  
Deutschland  
Office Phone: +49 7062 / 6599-260  
E-Mail: [info@elco-automation.de](mailto:info@elco-automation.de)  
[www.elco-automation.de](http://www.elco-automation.de)

**Elco Automation LLC**

1097 Highway 101 South, Suite D-3 Greer  
South Carolina 29651, USA  
Office Phone: +1 864-581-7431  
E-Mail: [infousa@elcoautomation.com](mailto:infousa@elcoautomation.com)  
[www.elcoautomation.com](http://www.elcoautomation.com)

**Elco Industrial Automation Pvt Ltd.**

No 80, 1<sup>st</sup> Main, 2<sup>nd</sup> Cross, Royal Enclave,  
Sidedahalli, Nagasandra Bangalore 560073, India  
Office Phone: +91-7259931777  
E-Mail: [info@elcoautomation.in](mailto:info@elcoautomation.in)  
[www.elcoautomation.com](http://www.elcoautomation.com)

**Elco Automation Korea Ltd.**

706, 17 Daehak 4-ro, Yeongtong-gu, Suwon-si,  
Gyeonggi-do, Republic of Korea, 16226  
Office Phone: +82-31-216-7890  
E-Mail: [sales@elcoautomation.co.kr](mailto:sales@elcoautomation.co.kr)  
[www.elcoautomation.com](http://www.elcoautomation.com)