

## FX20-AO-BF60

## ARTICLE PROPERTIES

<b>PRODUCT TYPE</b>	FX20 series modular I/O system analog output modules	<b>PRODUCT GROUP</b>	IP20 modular I/O system
<b>DESCRIPTION</b>	FX20-submodule 8-channel analog output, voltage / current types, 24 V DC, IP20, DIN rail installation	<b>PU</b>	1 pcs
		<b>COUNTRY OF ORIGIN</b>	CN

## TECHNICAL DATA

<b>NUMBER OF ANALOG INPUTS</b>	8	<b>OPERATING VOLTAGE</b>	24 V DC
<b>OUTPUT TYPE</b>	0 ... 10 V, $\pm 10$ V, 1 ... 5 V, 0/4 ... 20 mA	<b>CURRENT CONSUMPTION (5 V)</b>	60 mA
<b>OUTPUT RESOLUTION</b>	16 bits	<b>PROCESS DATA LENGTH</b>	16 bytes
<b>CONVERTING TIME</b>	2 ms	<b>FAULT DIAGNOSIS METHOD</b>	LED, communication message
<b>MEASURING ACCURACY</b>	$\pm 0.2$ %		

## CONNECTION DATA

<b>WIRE CONNECTION</b>	Plug-in terminal block	<b>STRIPPED LENGTHS</b>	8 ... 10 mm, 0.315 ... 0.394 in
<b>CROSS SECTION</b>	0.08 mm <sup>2</sup> ... 2.5 mm <sup>2</sup> , AWG 28 ... 14		

## ENVIRONMENTAL REQUIREMENTS

<b>PROTECTION CLASS</b>	IP20	<b>ELECTRO-STATIC DISCHARGE (ESD)</b>	Level A, per IEC 61000-4-2
<b>MOUNTING TYPE</b>	DIN-35 mm rail	<b>SURGE TEST</b>	Level A, per IEC 61000-4-5
<b>AMBIENT TEMPERATURE</b>	-5 ... +60 °C	<b>VIBRATION RESISTANCE</b>	4 g, per IEC 60068-2-6
<b>STORAGE TEMPERATURE</b>	-25 ... +70 °C	<b>SHOCK RESISTANCE</b>	15 g, per IEC 60068-2-27
<b>RELATIVE HUMIDITY</b>	95%, non-condensing	<b>EU ROHS COMPLIANCE STATUS</b>	Yes
<b>OPERATING ALTITUDE</b>	0 ... 2000 m / 0 ... 6562 ft	<b>MATERIAL COMPLIANCE</b>	Compliant with REACH
<b>POLLUTION DEGREE</b>	2, per IEC 61131-2	<b>DIMENSIONS (H X W X D)</b>	110.6 x 28 x 78.4 mm
<b>ELECTRICAL FAST TRANSIENT (EFT)</b>	Level A, per IEC 61000-4-4	<b>CONFORMITY MARKING</b>	CE

## GENERAL DATA

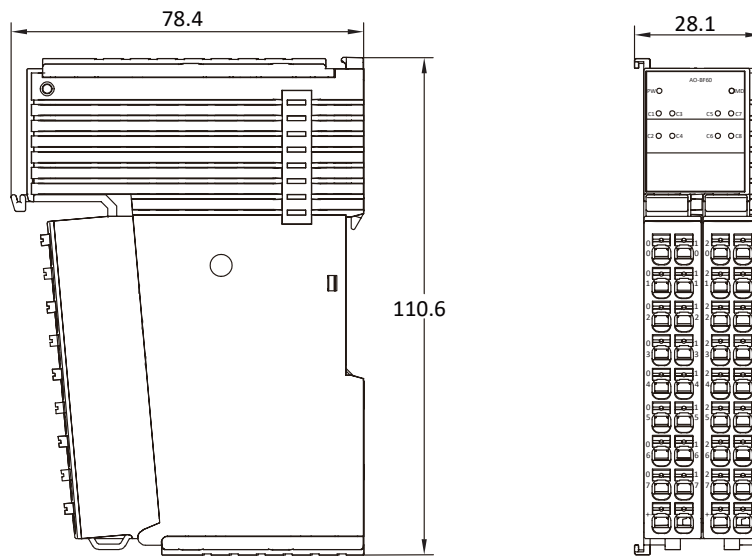
<b>HOUSING MATERIAL</b>	PPE	<b>DIMENSIONS (H X W X D)</b>	110.6 x 28 x 78.4 mm
<b>WEIGHT</b>	63 g	<b>MTTF (25 °C)</b>	196 years
<b>COLOR</b>	Light gray	<b>APPROVALS</b>	CE

FX20-AO-BF60

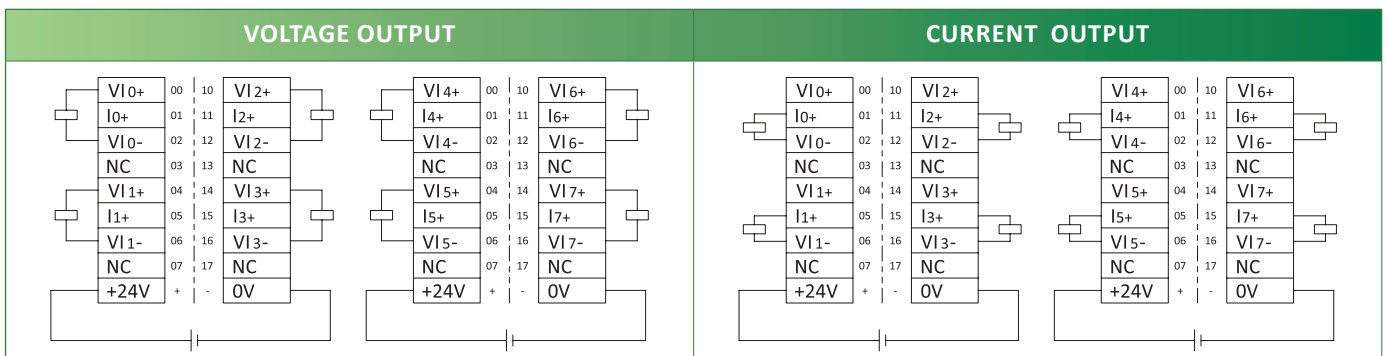
APPROVALS



DIMENSIONS



WIRING DIAGRAM



## FX20-AO-BF60

---

### SALES AND SERVICE

**Tianjin Elco Automation Co., Ltd**

No. 12, 4th XEDA Branch Road  
Xiqing Economic-Technological Development Area  
Tianjin 300385, P.R. China  
Office Phone: 022 23788282  
E-Mail: [info@elco.cn](mailto:info@elco.cn)  
[www.elco-holding.com.cn](http://www.elco-holding.com.cn)

**Elco Industrie Automation GmbH**

Benzstrasse 7  
71720 Oberstenfeld,  
Deutschland  
Office Phone: +49 7062 / 6599-260  
E-Mail: [info@elco-automation.de](mailto:info@elco-automation.de)  
[www.elco-automation.de](http://www.elco-automation.de)

**Elco Automation LLC**

1097 Highway 101 South, Suite D-3 Greer  
South Carolina 29651, USA  
Office Phone: +1 864-581-7431  
E-Mail: [infousa@elcoautomation.com](mailto:infousa@elcoautomation.com)  
[www.elcoautomation.com](http://www.elcoautomation.com)

**Elco Industrial Automation Pvt Ltd.**

No 80, 1<sup>st</sup> Main, 2<sup>nd</sup> Cross, Royal Enclave,  
Sidedahalli, Nagasandra Bangalore 560073, India  
Office Phone: +91-7259931777  
E-Mail: [info@elcoautomation.in](mailto:info@elcoautomation.in)  
[www.elcoautomation.com](http://www.elcoautomation.com)

**Elco Automation Korea Ltd.**

706, 17 Daehak 4-ro, Yeongtong-gu, Suwon-si,  
Gyeonggi-do, Republic of Korea, 16226  
Office Phone: +82-31-216-7890  
E-Mail: [sales@elcoautomation.co.kr](mailto:sales@elcoautomation.co.kr)  
[www.elcoautomation.com](http://www.elcoautomation.com)