

FV20 SERIES BOOK-FORM I/O

ARTICLE PROPERTIES

PRODUCT TYPE	FVEC-1616N	PROTOCOL	EtherCAT
DESCRIPTION	IP20 module Metal housing 32-point digital module	OPERATING MODES	Auto-negotiation, Auto-MDI/MDI-X
		TRANSFER RATE	10 / 100 Mbps

ELECTRICAL DATA

SUPPLY VOLTAGE	24 V DC (18 ... 30 V DC)	INPUT CHANNELS	16
CURRENT CONSUMPTION	Max. 200 mA	INPUT SUPPLY CURRENT	Max. 125 mA / Channel, Total maximum 4 A
POWER SUPPLY	Max. 4 A	INPUT TYPE	NPN sensors, mechanical switches, dry contacts, etc.
ELECTRICAL ISOLATION	500 V optocoupler isolation	INPUT DELAY	1.6 ms
POWER SUPPLY	1 × 3 pos terminal block	OUTPUT CHANNELS	16
FIELDBUS	2 × RJ45	OUTPUT CURRENT	Max. 0.5 A per channel
SIGNALS	2 × 20 pos terminal blocks	OUTPUT TYPE	Lamps, solenoidvalve, etc.
COMMUNICATION INDICATION	LED indication, Communication message	OUTPUT FREQUENCY	Resistive load 100 Hz, Inductive load 5 Hz
VOLTAGE DETECTION	Support, Low voltage alarm		
SHORT-CIRCUIT & OVERLOAD	Support, LED indication		

GENERAL DATA

HOUSING MATERIAL	Galvanized steel	OPERATING TEMPERATURE	-5 ... +60 °C
PROTECTION	IP20	STORAGE TEMPERATURE	-25 ... +70 °C
		DIMENSIONS	27 × 74.5 × 112 mm

FUNCTIONAL SAFETY

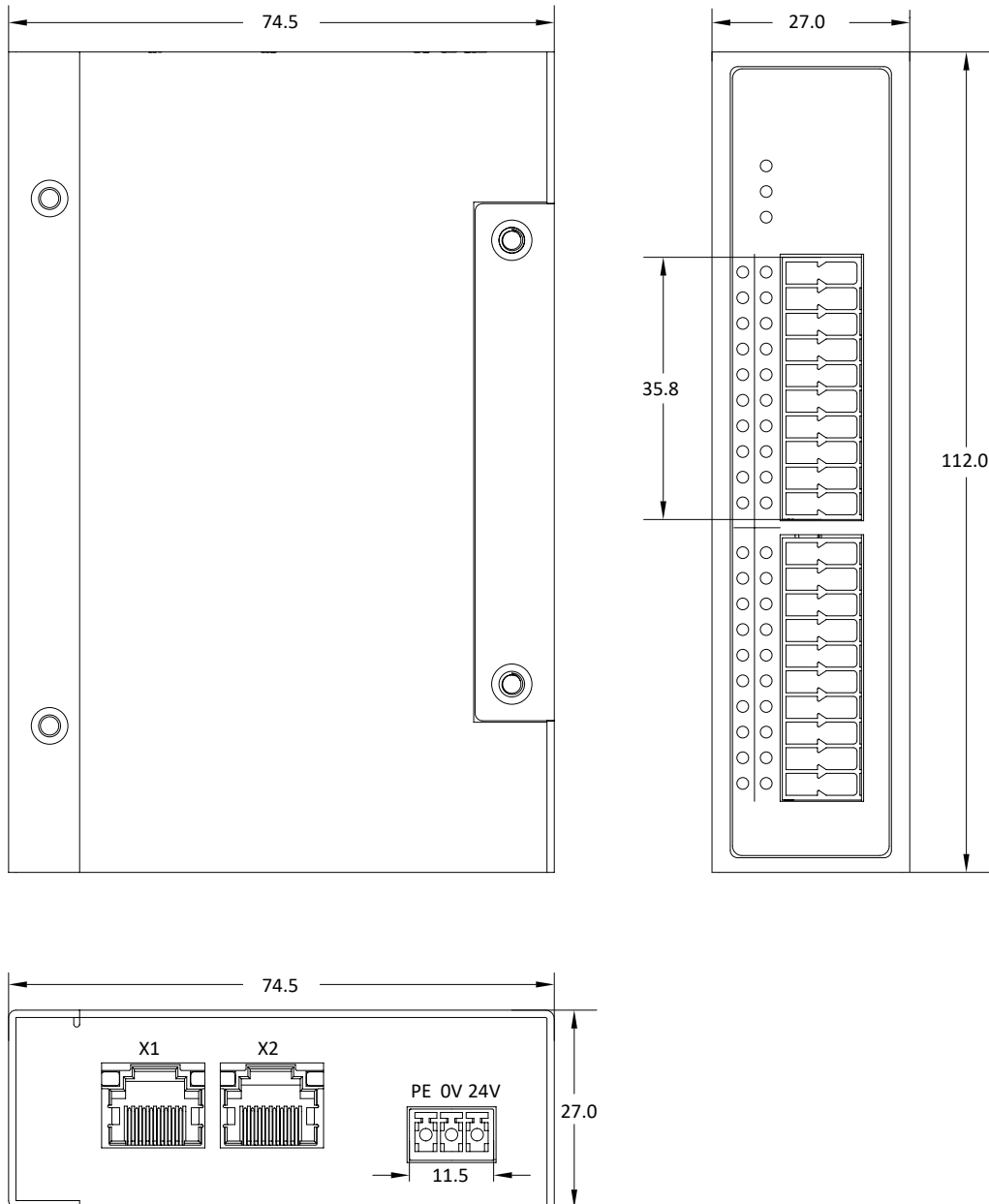
MTTF (25 °C)	90a
---------------------	-----

APPROVALS



FV20 SERIES BOOK-FORM I/O

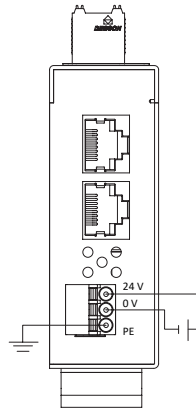
DIMENSIONS



FV20 SERIES BOOK-FORM I/O

VOLTAGE SUPPLY DRAWING

POWER IN

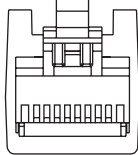


24 V - Power supply_Us+
 0 V - Power supply_Us-
 PE - Protective earthing

FIELD BUS DRAWING

1000 Base-TX (4wire)

Male



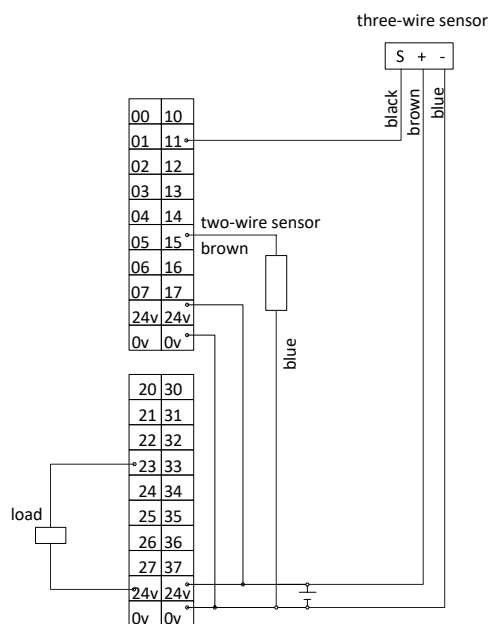
12345678

- 1. Yellow (TD+)
- 2. Orange (TD-)
- 3. White (RD+)
- 4. N/C
- 5. N/C
- 6. Blue (RD-)
- 7. N/C
- 8. N/C

- 1 - Transmit TD+
- 2 - Transmit TD-
- 3 - Receive RD+
- 6 - Receive RD-

I/O DRAWING

FVEC-1616N



FV20 SERIES BOOK-FORM I/O

SALES AND SERVICE

Tianjin Elco Automation Co., Ltd

No. 12, 4th XEDA Branch Road
Xiqing Economic-Technological Development Area
Tianjin 300385, P.R. China
Office Phone: 022 23788282
E-Mail: info@elco.cn
www.elco-holding.com.cn

Elco Industrie Automation GmbH

Benzstrasse 7
71720 Oberstenfeld,
Deutschland
Office Phone: +49 7062 / 6599-260
E-Mail: info@elco-automation.de
www.elco-automation.de

Elco Automation LLC

1097 Highway 101 South, Suite D-3 Greer
South Carolina 29651, USA
Office Phone: +1 864-581-7431
E-Mail: infousa@elcoautomation.com
www.elcoautomation.com

Elco Industrial Automation Pvt Ltd.

No 80, 1st Main, 2nd Cross, Royal Enclave,
Sidedahalli, Nagasandra Bangalore 560073, India
Office Phone: +91-7259931777
E-Mail: info@elcoautomation.in
www.elcoautomation.com

Elco Automation Korea Ltd.

706, 17 Daehak 4-ro, Yeongtong-gu, Suwon-si,
Gyeonggi-do, Republic of Korea, 16226
Office Phone: +82-31-216-7890
E-Mail: sales@elcoautomation.co.kr
www.elcoautomation.com