

FV20 SERIES BOOK-FORM I/O

ARTICLE PROPERTIES

<b>PRODUCT TYPE</b>	FVEC-0032P	<b>PROTOCOL</b>	EtherCAT
<b>DESCRIPTION</b>	IP20 module Metal housing 32-point digital output module	<b>OPERATING MODES</b>	Auto-negotiation, Auto-MDI/MDI-X
		<b>TRANSFER RATE</b>	10 / 100 Mbps

ELECTRICAL DATA

<b>SUPPLY VOLTAGE</b>	24 V DC (18 ... 30 V DC)	<b>INPUT CHANNELS</b>	-
<b>CURRENT CONSUMPTION</b>	Max. 200 mA	<b>INPUT SUPPLY CURRENT</b>	-
<b>POWER SUPPLY</b>	Max. 4 A	<b>INPUT TYPE</b>	-
<b>ELECTRICAL ISOLATION</b>	500 V optocoupler isolation	<b>INPUT DELAY</b>	-
<b>POWER SUPPLY</b>	1 × 3 pos terminal block	<b>OUTPUT CHANNELS</b>	32
<b>FIELDBUS</b>	2 × RJ45	<b>OUTPUT CURRENT</b>	Max. 0.5 A per channel
<b>SIGNALS</b>	2 × 20 pos terminal blocks	<b>OUTPUT TYPE</b>	Lamps, solenoidvalve, etc.
<b>COMMUNICATION INDICATION</b>	LED indication, Communication message	<b>OUTPUT FREQUENCY</b>	Resistive load 100 Hz, Inductive load 5 Hz
<b>VOLTAGE DETECTION</b>	Support, Low voltage alarm		
<b>SHORT-CIRCUIT &amp; OVERLOAD</b>	Support, LED indication		

GENERAL DATA

<b>HOUSING MATERIAL</b>	Galvanized steel	<b>OPERATING TEMPERATURE</b>	-5 ... +60 °C
<b>PROTECTION</b>	IP20	<b>STORAGE TEMPERATURE</b>	-25 ... +70 °C
		<b>DIMENSIONS</b>	27 × 74.5 × 112 mm

FUNCTIONAL SAFETY

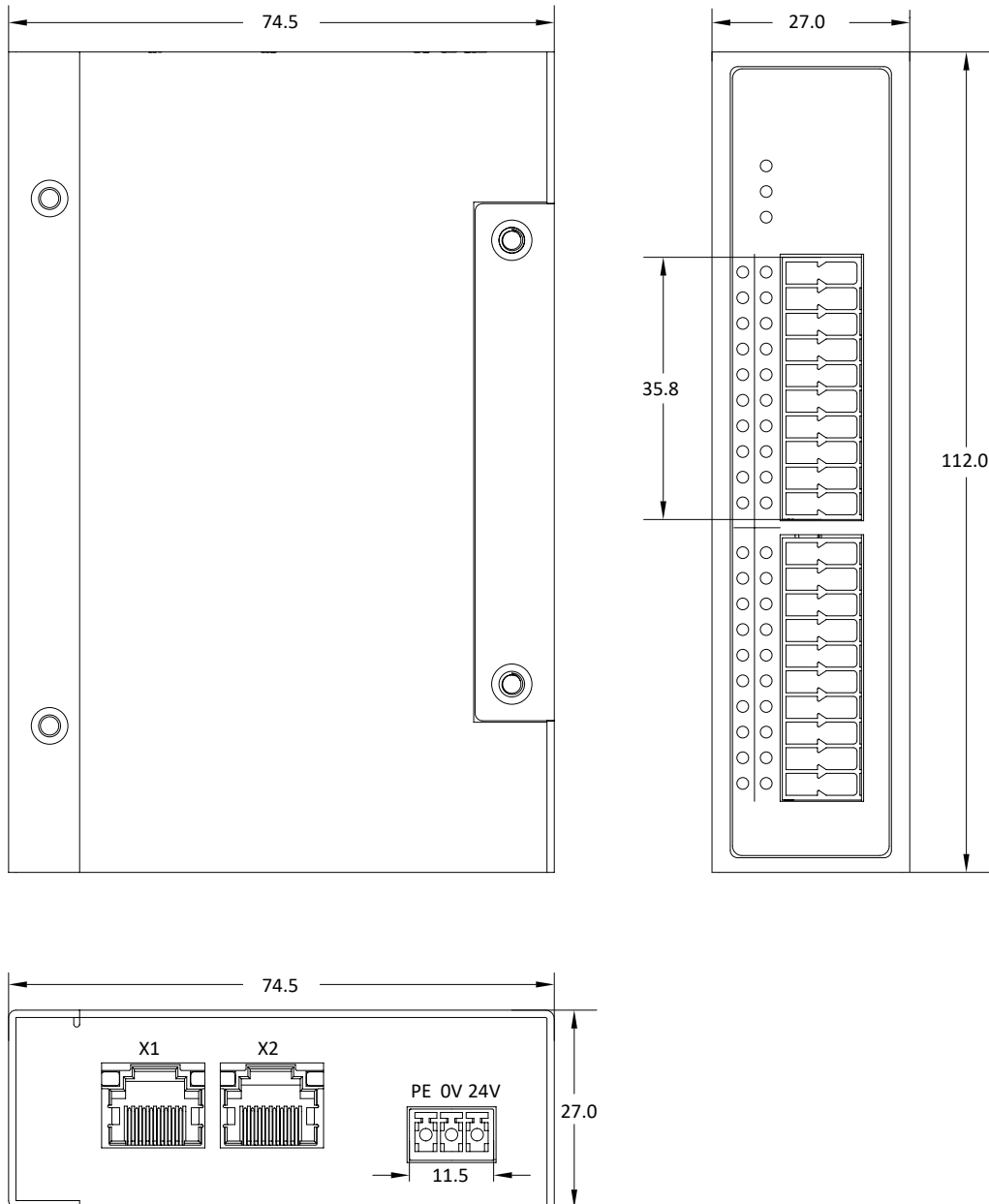
<b>MTTF (25 °C)</b>	79a
---------------------	-----

APPROVALS



FV20 SERIES BOOK-FORM I/O

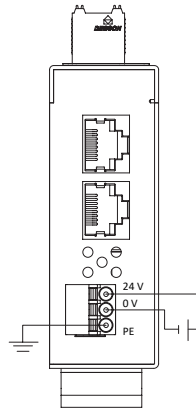
DIMENSIONS



FV20 SERIES BOOK-FORM I/O

VOLTAGE SUPPLY DRAWING

POWER IN

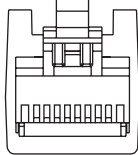


24 V - Power supply\_Us+  
 0 V - Power supply\_Us-  
 PE - Protective earthing

FIELD BUS DRAWING

1000 Base-TX (4wire)

Male



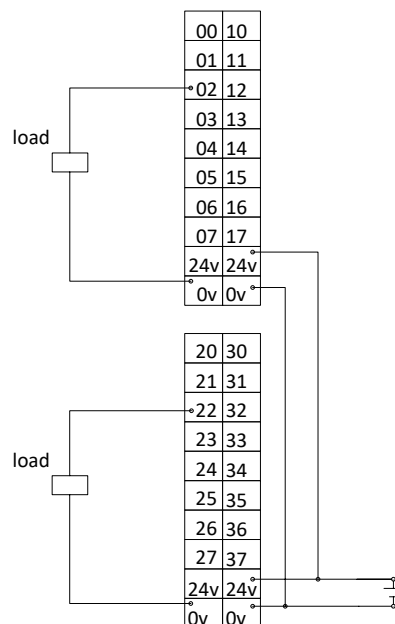
12345678

- 1. Yellow (TD+)
- 2. Orange (TD-)
- 3. White (RD+)
- 4. N/C
- 5. N/C
- 6. Blue (RD-)
- 7. N/C
- 8. N/C

- 1 - Transmit TD+
- 2 - Transmit TD-
- 3 - Receive RD+
- 6 - Receive RD-

I/O DRAWING

FVEC-0032P



FV20 SERIES BOOK-FORM I/O

---

## SALES AND SERVICE

**Tianjin Elco Automation Co., Ltd**

No. 12, 4th XEDA Branch Road  
Xiqing Economic-Technological Development Area  
Tianjin 300385, P.R. China  
Office Phone: 022 23788282  
E-Mail: [info@elco.cn](mailto:info@elco.cn)  
[www.elco-holding.com.cn](http://www.elco-holding.com.cn)

**Elco Industrie Automation GmbH**

Benzstrasse 7  
71720 Oberstenfeld,  
Deutschland  
Office Phone: +49 7062 / 6599-260  
E-Mail: [info@elco-automation.de](mailto:info@elco-automation.de)  
[www.elco-automation.de](http://www.elco-automation.de)

**Elco Automation LLC**

1097 Highway 101 South, Suite D-3 Greer  
South Carolina 29651, USA  
Office Phone: +1 864-581-7431  
E-Mail: [infousa@elcoautomation.com](mailto:infousa@elcoautomation.com)  
[www.elcoautomation.com](http://www.elcoautomation.com)

**Elco Industrial Automation Pvt Ltd.**

No 80, 1<sup>st</sup> Main, 2<sup>nd</sup> Cross, Royal Enclave,  
Sidedahalli, Nagasandra Bangalore 560073, India  
Office Phone: +91-7259931777  
E-Mail: [info@elcoautomation.in](mailto:info@elcoautomation.in)  
[www.elcoautomation.com](http://www.elcoautomation.com)

**Elco Automation Korea Ltd.**

706, 17 Daehak 4-ro, Yeongtong-gu, Suwon-si,  
Gyeonggi-do, Republic of Korea, 16226  
Office Phone: +82-31-216-7890  
E-Mail: [sales@elcoautomation.co.kr](mailto:sales@elcoautomation.co.kr)  
[www.elcoautomation.com](http://www.elcoautomation.com)