

VERIFICATION OF COMPLIANCE

Verification No.: KSEM240800221901ATC
 Applicant: Tianjin Elco Automation Co., Ltd
 Address of Applicant: No.12, 4th XEDA Branch Rd, Xiqing Economic-Technological Development Area, Tianjin
 Manufacturer: Tianjin Elco Automation Co., Ltd
 Address of Manufacturer: No.12, 4th XEDA Branch Rd, Xiqing Economic-Technological Development Area, Tianjin
 Product Description: Photoelectric Sensor
 Model No.: OSC1-UC2B6-Q8/485+M1-EC6, OSC1-TC2B6-Q8/485, OSC1-TC2BLIU6-Q8, OSC1 series
 Test Standards: EN IEC 61000-6-2: 2019
 EN IEC 61000-6-4: 2019
 EN IEC 60947-5-2: 2020 Clause 8.2.6
 Test Report Number(s): KSEM240800221901

This Verification of EMC Compliance has been granted to the applicant based on the results of the tests, performed by laboratory of Compliance Certification Services (Kunshan) Inc. on the sample of the above-mentioned product in accordance with the provisions of the relevant specific standards under Directive 2014/30/EU. The CE mark can be used, under the responsibility of the manufacturer, after completion of an EU Declaration of Conformity and compliance with all relevant EU Directives.



Terry Hou
Technical Manager

Compliance Certification Services (Kunshan) Inc.



Date: 2024-10-11

This document is issued by the Company under its General Conditions of Service accessible at http://www.sgs.com/terms_and_conditions.htm. Attention is drawn to the limitation of liability, indemnification and jurisdiction issues defined therein.

Any holder of this document is advised that information contained hereon reflects the Company's findings at the time of its intervention only and within the limits of Client's instructions, if any. The Company's sole responsibility is to its client and this document does not exonerate parties to a transaction from exercising all their rights and obligations under the transaction documents. Any unauthorized alteration, forgery or falsification of the content or appearance of this document is unlawful and offenders may be prosecuted to the fullest extent of the law.

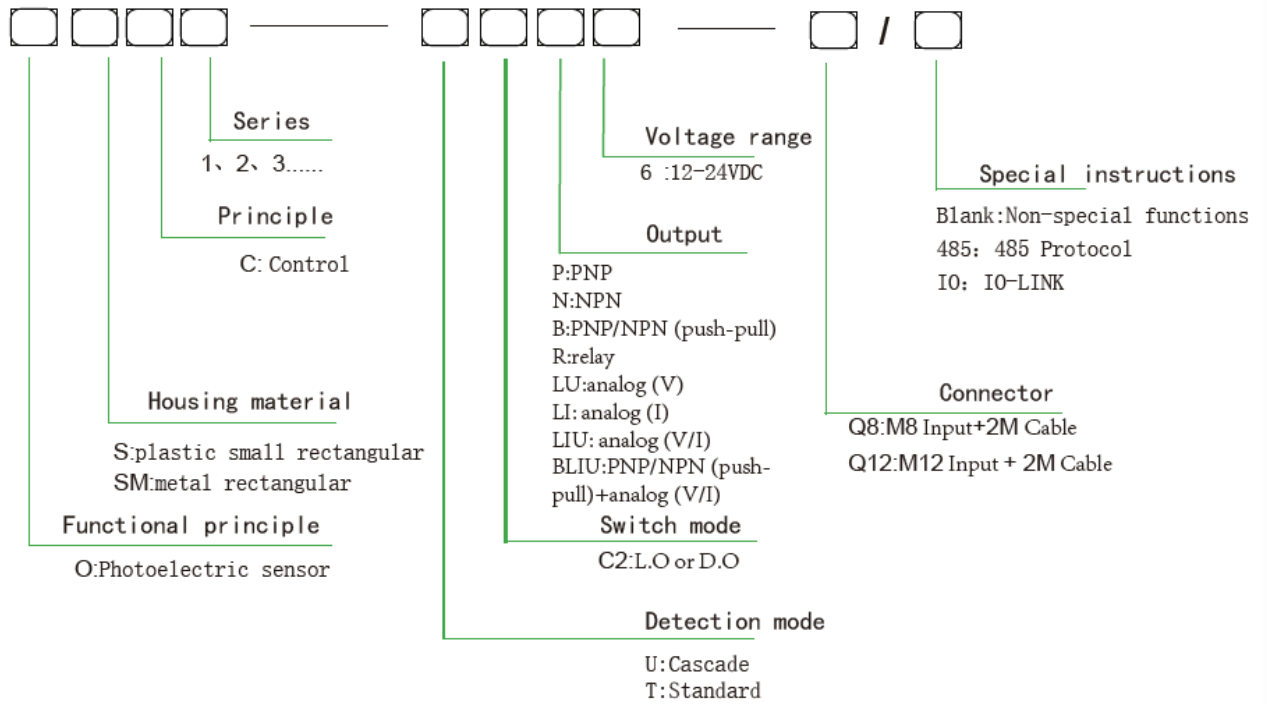
Compliance Certification Services (Kunshan) Inc.
 No.10 Weiye Road, Development Zone, Kunshan, Jiangsu, China
www.sgsgroup.com.cn
 Member of the SGS Group (SGS SA)

VERIFICATION OF COMPLIANCE

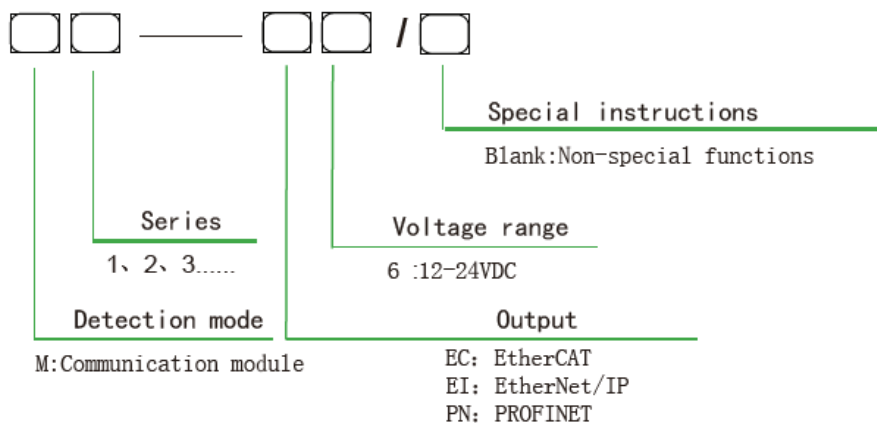
Attachment to Verification No.: KSEM240800221901ATC

Model difference:

Deviation correction sensor - Controller:



Deviation correction sensor - Communication Unit:



This document is issued by the Company under its General Conditions of Service accessible at http://www.sgs.com/terms_and_conditions.htm. Attention is drawn to the limitation of liability, indemnification and jurisdiction issues defined therein.

Any holder of this document is advised that information contained hereon reflects the Company's findings at the time of its intervention only and within the limits of Client's instructions, if any. The Company's sole responsibility is to its client and this document does not exonerate parties to a transaction from exercising all their rights and obligations under the transaction documents. Any unauthorized alteration, forgery or falsification of the content or appearance of this document is unlawful and offenders may be prosecuted to the fullest extent of the law.

Compliance Certification Services (Kunshan) Inc.
No.10 Weiye Road, Development Zone, Kunshan, Jiangsu, China
www.sgsgroup.com.cn
Member of the SGS Group (SGS SA)